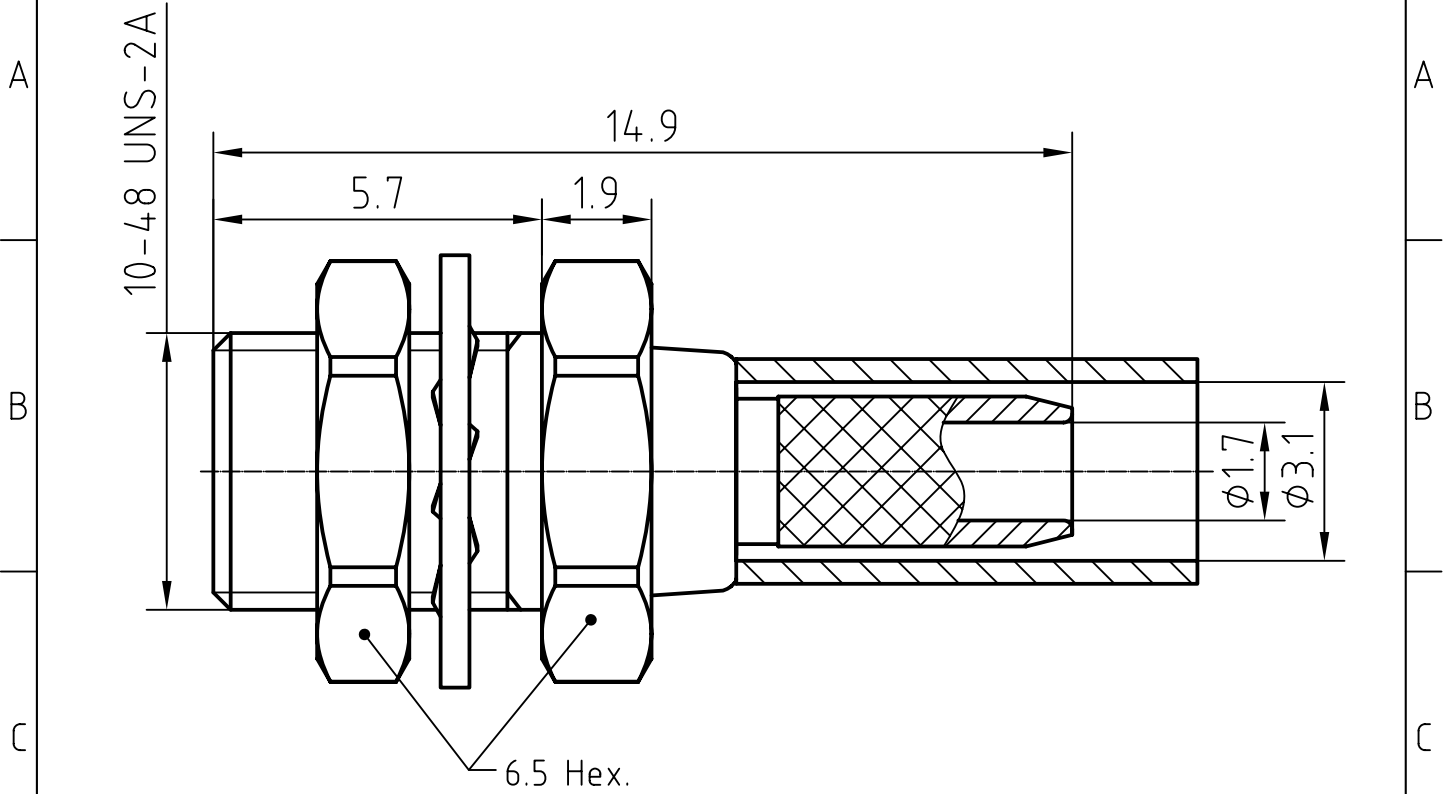
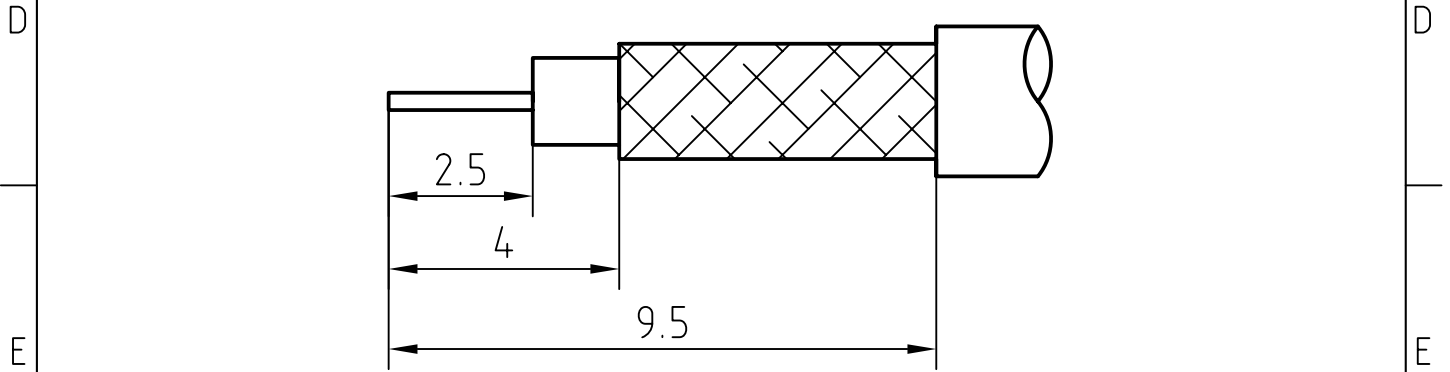


DRAWING



Interface: Smooth bore

CABLE(RG174A/U, RG188A/U, RG316/U)



3	1	Body	Brass/Gold plated	Gold 0.2 um over Nickel 2um
2	1	Insulator	PTFE	
1	1	Center contact	Brass/Gold plated	Gold 0.5 um over Nickel 2um

Designed by Mingang Han	Checked by Jinlong Gu	Approved by - date Hongyu Du	File name SMP-JY3	Date 07.08.22	Scale 8 : 1
----------------------------	--------------------------	---------------------------------	----------------------	------------------	----------------

Amitron Electronics, Ltd.	SMP-JY3			
	http://www.amel.ru	Edition 1.0	Sheet 1/1	

CHARACTERISTICS

DESCRIPTION: SMP Type male connector

Electrical data:

Impedance:	50 ohm
Frequency range:	DC to 6 GHz
VSWR:	$\leq 1.3:1$
Insertion loss:	$\leq 0.25X\sqrt{f[\text{GHz}]} \text{ dB}$
Insulation resistance:	$\geq 5000M\Omega$
Test voltage:	500 V rms
Working voltage:	335 V rms
Contact resistance:	
1). Centre contact:	6.0 m Ω
2). Outer conductor:	2.0 m Ω

Environmental data:

Temperature rating:	-65 ° C to +165 ° C
2002/95/EC (RoHS):	Compliant

Mechanical data:

Mating cycles:

- if mating part is full detent:	≥ 100
Center contact captivation:	$\geq 7 \text{ N(axial)}$
Engagement force:	

- full detent:	$\leq 68 \text{ N.}$
Disengagement force:	

- full detent:	$\geq 22 \text{ N.}$
----------------	----------------------

Suitable cables:

RG174A/U, RG188A/U, RG316/U

Amitron Electronics, Ltd.

<http://www.amel.ru>

e-mail: mailbox@amel.ru