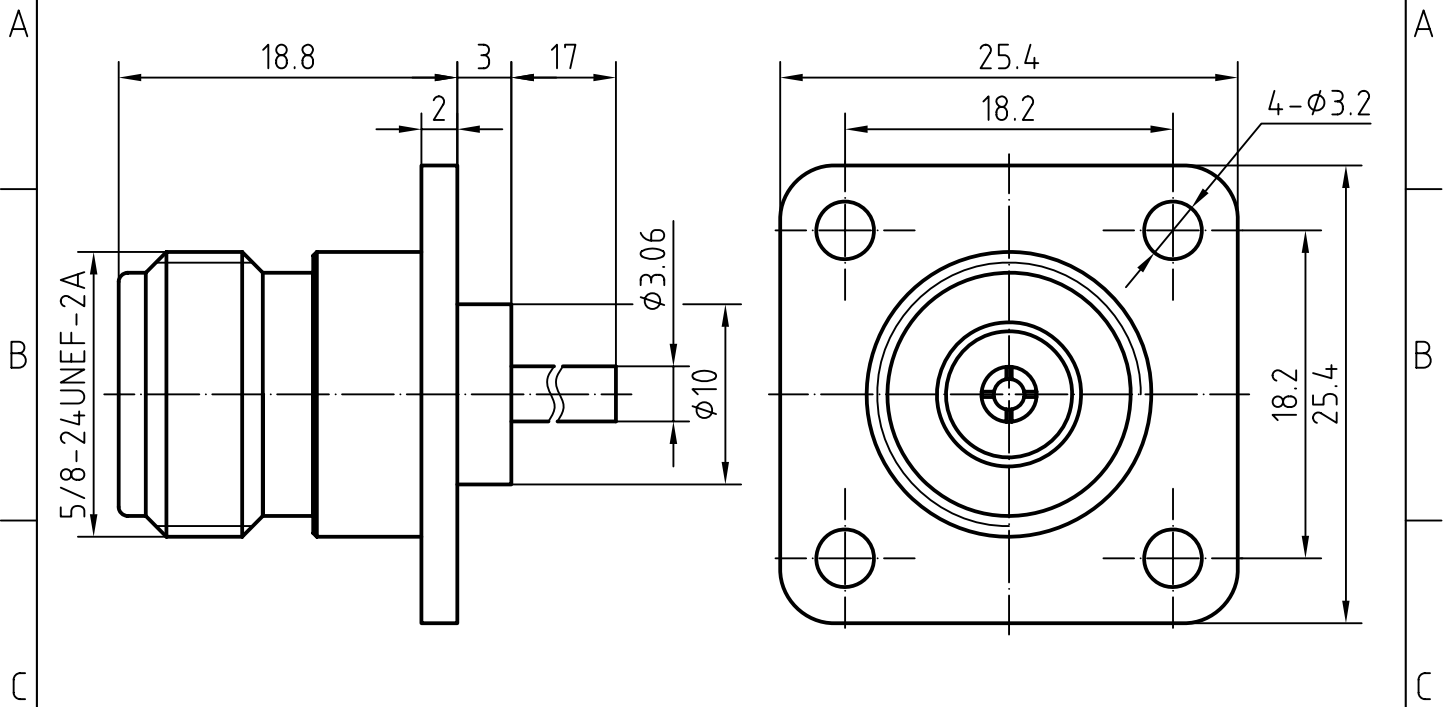
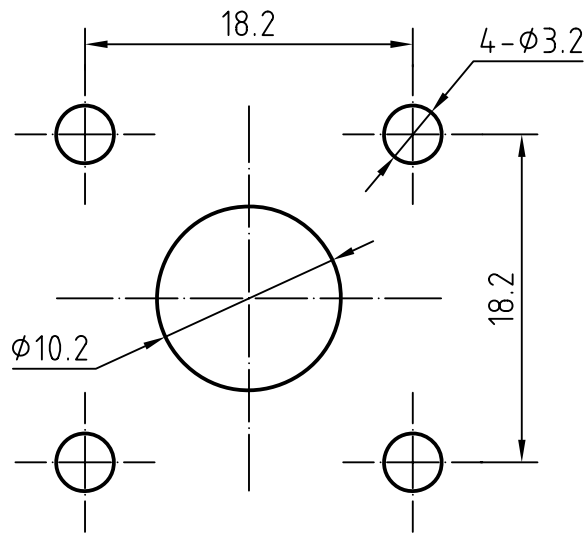


DRAWING



MOUNTING HOLE(H84)



3	1	Body	Brass/Nickel plated	Nickel 7um over Copper 2um
2	1	Insulator	PFTE	
1	1	Center contact	Phosphor bronze/Gold plated	Gold 0.3um over Nickel 2um
Itemref	Quantity	Title/Name, designation, material, dimension etc		Article No./Reference

Designed by Mingang Han	Checked by Jinlong GU	Approved by - date Hongyu Du	File name N-KFD17	Date 15.11.10	Scale 3 : 1
----------------------------	--------------------------	---------------------------------	----------------------	------------------	----------------

Amitron Electronics, Ltd.	N-KFD17			
	http://www.amel.ru	Edition 1.0	Sheet 1/1	

CHARACTERISTICS

DESCRIPTION: N Type female FL connector

Electrical data:

<i>Impedance:</i>	50 ohm
<i>Frequency range:</i>	DC to 11 GHz
<i>VSWR:</i>	$\leq 1.05 + 0.02Xf[\text{GHz}]$
<i>Insertion loss:</i>	$\leq 0.25\text{dB}$, DC-8GHz
<i>Insulation resistance:</i>	$\geq 5000\text{M}\Omega$
<i>Test voltage:</i>	2500 V rms
<i>Working voltage:</i>	1400 V rms
<i>Contact resistance:</i>	
1). Centre contact:	1.0 m Ω
2). Outer conductor:	0.25 m Ω
<i>Power handling (at 20 ° C, sea level, VSWR 1.0):</i>	$\leq 80\text{ W @ }2\text{ GHz}$ 700 W @ 2 GHz

Environmental data:

<i>Temperature rating:</i>	-65 ° C to +165 ° C
<i>2002/95/EC (RoHS):</i>	Compliant

Mechanical data:

<i>Mating cycles:</i>	≥ 500
<i>Center contact captivation:</i>	$\geq 28\text{ N(axial)}$ $\geq 3\text{ Ncm(radial)}$
<i>Coupling test torque:</i>	$\leq 1.7\text{ Nm}$
<i>Recommended torque:</i>	0.7 Nm to 1.1 Nm

Suitable cables:

N/A