

Coaxial Straight Flange Connector: BNC-KFD3

Description

Straight panel receptacle jack (female), flange mount

Interface standards

MIL-C-39012

Technical Data

Electrical Data

Impedance	50 Ω
Interface frequency max.	4 GHz
VSWR	$1.05+0.05 \times f(\text{GHz})$ max
Voltage rating	500 V(rms)
Test voltage	1000 V(rms)
Contact resistance:	
Center conductor	$\leq 1.5\text{m} \Omega$
Out conductor	$\leq 1.0\text{m} \Omega$
Insulation resistance	$\geq 5000\text{M} \Omega$

Mechanical Data

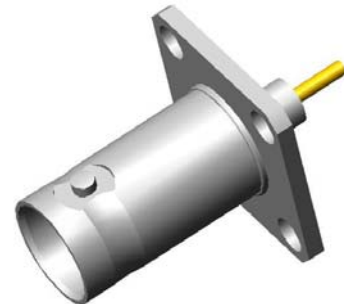
Center contact retention	
Axial force – Mating end	27 N mini
Axial force – Opposite end	27 N mini
Torque	2.8 N.cm mini
Weight	9.2 g
Durability	500 Cycles

Environmental Data

Operating Temperature	-65 °C to 165 °C
-----------------------	------------------

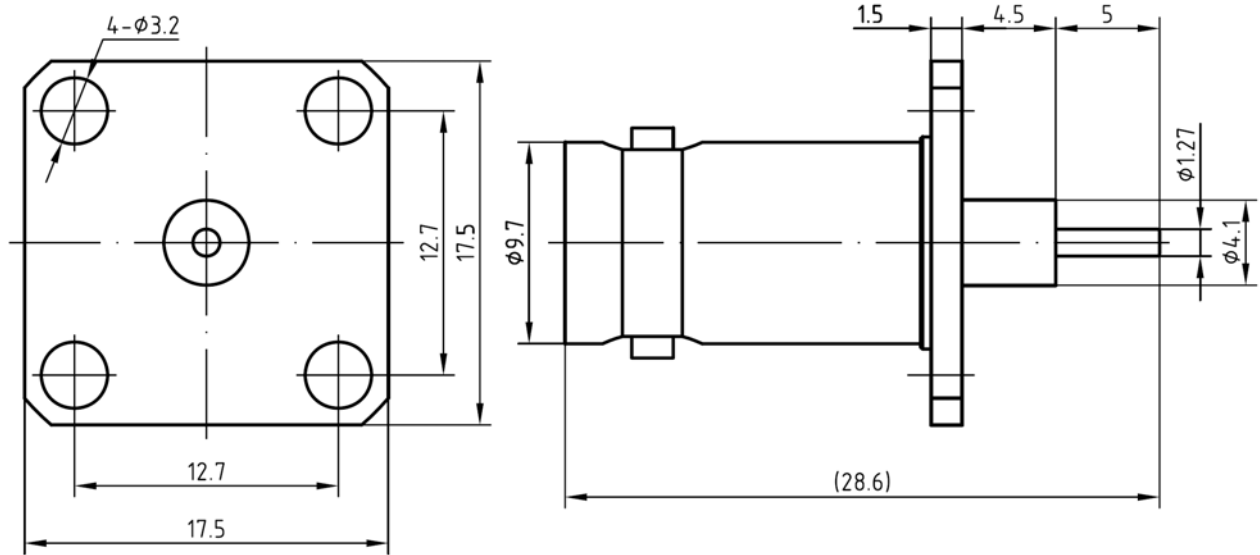
Material Data

Piece Parts	Material	Surface Plating(μm)
Center contact	Phosphor bronze	Gold 0.3 over Nickel 2.0
Outer contact	Brass	Nickel 7.0 over copper 2.0
Insulator	PTFE	



Coaxial Straight Flange Connector: BNC-KFD3

Outline drawing



Packaging

Standard

50/Box=5 Bag

Other

Contact us