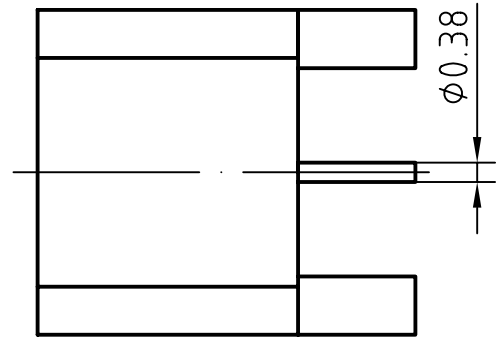
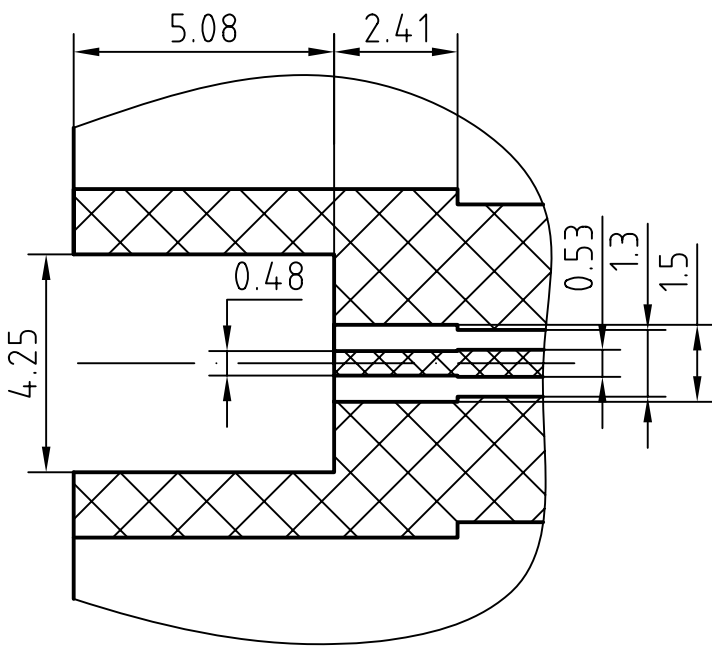
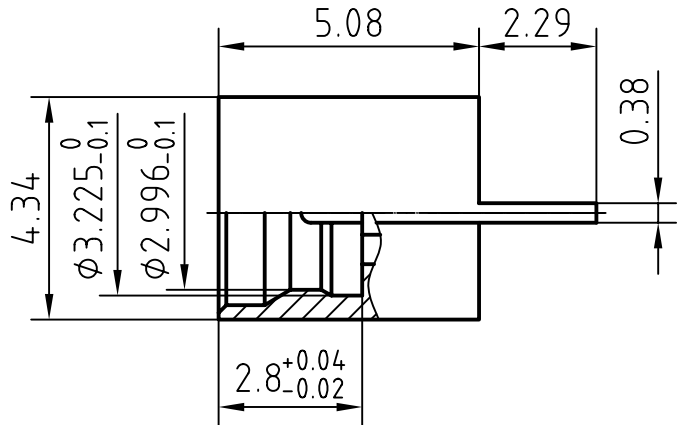
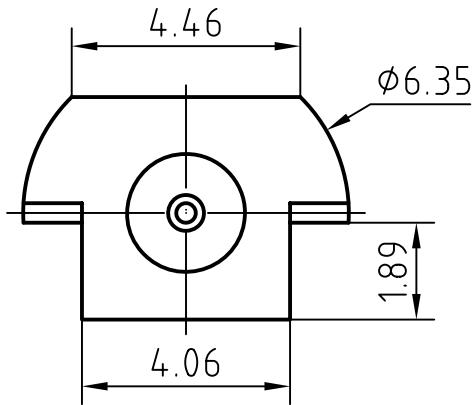


DRAWING



3	1	Body	Brass/Gold plated	Gold 0.5um over Nickel 2.0um
2	1	Insulator	PTFE	
1	1	Center contact	Brass/Gold plated	Gold 1.27um over Nickel 2.0um

Designed by	Checked by	Approved by - date	File name	Date	Scale
-------------	------------	--------------------	-----------	------	-------

Amitron Electronics, Ltd.

SMP(F)-JHTC

<http://www.amel.ru>

Edition

Sheet

CHARACTERISTICS

DESCRIPTION:

SMP Type male edge mount connector(FULL DETENT)

Electrical data:

<i>Impedance:</i>	50 ohm
<i>Frequency range:</i>	DC to 26.5 GHz
<i>Return loss:</i>	≥30dB, DC-4GHz ≥20dB, 4-12GHz ≥18dB, 12-26.5GHz
<i>Insertion loss:</i>	≤0.12 X $\sqrt{f[\text{GHz}]}$ dB
<i>Insulation resistance:</i>	≥5000MΩ
<i>Test voltage:</i>	500 V rms
<i>Working voltage:</i>	335 V rms
<i>Contact resistance:</i>	
1). Centre contact:	6.0 mΩ
2). Outer conductor:	2.0 mΩ

Environmental data:

<i>Temperature rating:</i>	-65 ° C to +165 ° C
<i>2002/95/EC (RoHS):</i>	Compliant

Mechanical data:

<i>Mating cycles:</i>	
- if mating part is smooth bore:	≥ 1000
- if mating part is limited detent:	≥ 500
- if mating part is full detent:	≥ 100
<i>Center contact captivation:</i>	≥ 7 N(axial)
<i>Engagement force:</i>	
- smooth bore:	≤ 9 N.
- limited detent:	≤ 45 N.
- full detent:	≤ 68 N.
<i>Disengagement force:</i>	
- smooth bore:	≥ 2.2 N.
- limited detent:	≥ 9 N.
- full detent:	≥ 22 N.