

Coaxial Cable Connector: SMB-JWHD

Description

SMB Right Angle jack receptacle for PCB solder legs

Interface standards

MIL-C-39012

Technical Data

Electrical Data

Impedance	50 Ω
Interface frequency max.	4 GHz
VSWR	$1.08+0.05 \times f(\text{GHz})$ max
Voltage rating	250 V(rms)
Test voltage	750 V(rms)
Contact resistance:	
Center conductor	$\leq 6\text{m} \Omega$
Out conductor	$\leq 1.5\text{m} \Omega$
Insulation resistance	$\geq 1000\text{M} \Omega$

Mechanical Data

Weight	2.95 g
Durability	500 Cycles

Environmental Data

Operating Temperature	-65 °C to 165 °C
-----------------------	------------------

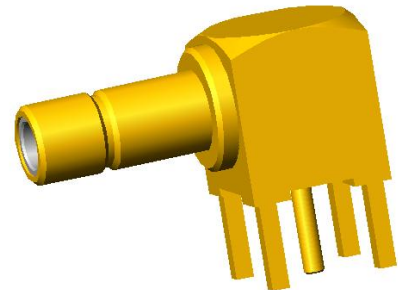
Material Data

Piece Parts

Center contact	Brass
Body	Brass
Insulator	PTFE

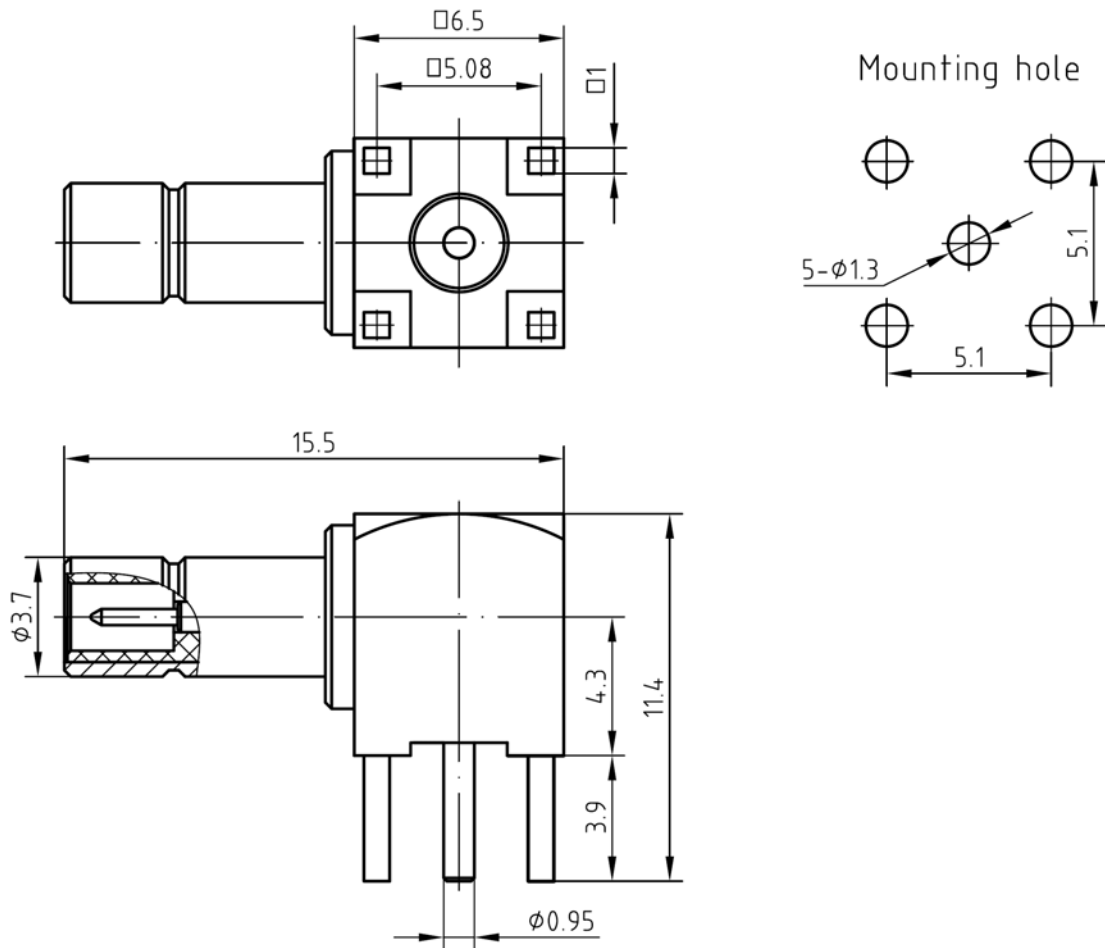
Surface Plating(μm)

Gold 0.5 over Nickel 2.0
Gold 0.2 over Nickel 2.0



Coaxial Cable Connector: SMB-JWHD

Outline drawing



Packaging

Standard

100/Box=10 Bag

Other

Contact us