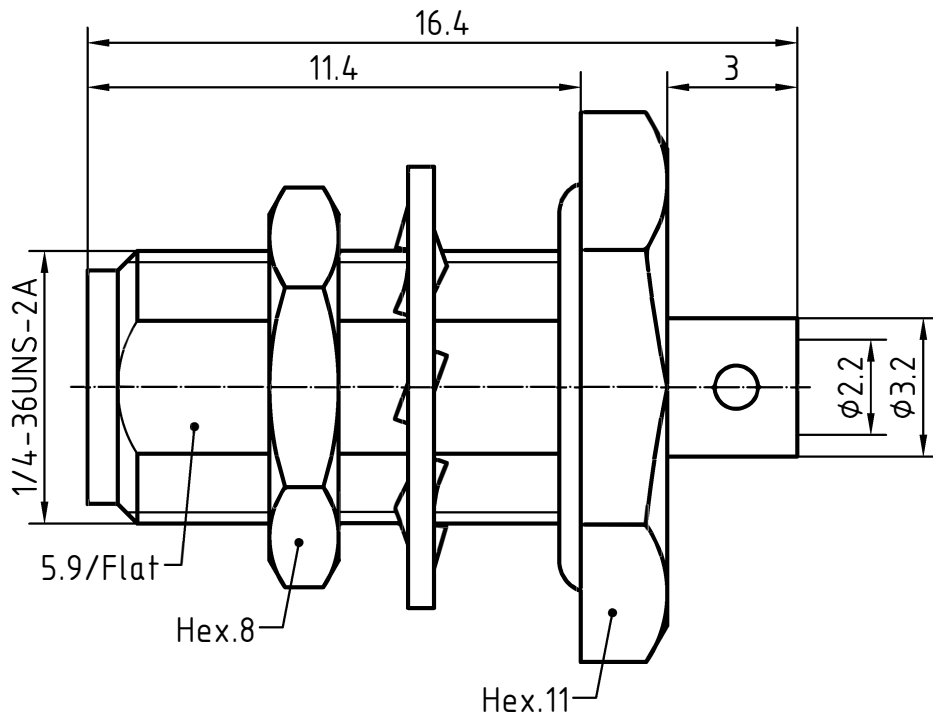
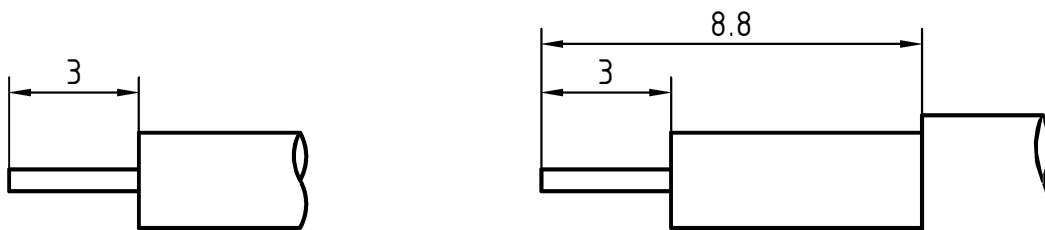


DRAWING



CABLE(UT086,RG405,670-086)



With jacket



| 6 | 1 | O-ring | Silicone rubber | |
|---------|----------|--|------------------------------|----------------------------|
| 5 | 1 | Nut | Drass/Gold plated | Gold 0.2um over Nickel 2um |
| 4 | 1 | Washer | Beryllium copper/Gold plated | Gold 0.2um over Nickel 2um |
| 3 | 1 | Body | Drass/Gold plated | Gold 0.2um over Nickel 2um |
| 2 | 1 | Insulator | PTFE | |
| 1 | 1 | Center contact | Beryllium copper/Gold plated | Gold 0.5um over Nickel 2um |
| Itemref | Quantity | Title/Name, designation, material, dimension etc | | Article No./Reference |

| | | | | | |
|----------------------------|--------------------------|--|------------------------|------------------|--------------|
| Designed by Mingang Han | Checked by Jinlong GU | Approved by - date Hongyu Du 06.08.30 | File name SMA-KYB2M | Date 06.08.30 | Scale 1:1 |
|----------------------------|--------------------------|--|------------------------|------------------|--------------|

Amitron Electronics, Ltd.

SMA-KYB2M

<http://www.amel.ru>

Edition
1.0
Sheet
1/1

CHARACTERISTICS

DESCRIPTION: SMA Type female BH connector with O-ring

Electrical data:

| | |
|---|--|
| <i>Impedance:</i> | 50 ohm |
| <i>Frequency range:</i> | DC to 18 GHz |
| <i>VSWR:</i> | $\leq 1.04 + 0.02 \times f \text{ [GHz]}$ |
| <i>Insertion loss:</i> | $\leq 0.05 \times \sqrt{f \text{ [GHz]}} \text{ dB}$ |
| <i>Insulation resistance:</i> | $\geq 5000 \text{ M}\Omega$ |
| <i>Test voltage:</i> | 1000 V rms |
| <i>Working voltage:</i> | 480 V rms |
| <i>Contact resistance:</i> | |
| 1). Centre contact: | 3.0 m Ω |
| 2). Outer conductor: | 2.0 m Ω |
| <i>Power handling (at 20 ° C, sea level, VSWR 1.0):</i> | $\leq 200 \text{ W @ 2 GHz};$ |
| <i>RF-leakage</i> | $\geq 100 \text{ dB up to 1 GHz}$ |

- Limitations are possible due to the used cable type -

Environmental data:

| | |
|----------------------------|---------------------|
| <i>Temperature rating:</i> | -65 ° C to +165 ° C |
| <i>2002/95/EC (RoHS):</i> | Compliant |

Mechanical data:

| | |
|-------------------------------|-----------------------|
| <i>Mating cycles:</i> | ≥ 500 |
| <i>Coupling nut retention</i> | $\geq 270 \text{ N}$ |
| <i>Coupling test torque:</i> | $\leq 1.1 \text{ Nm}$ |
| <i>Recommended torque:</i> | 0.46 Nm to 0.69 Nm |

Suitable cables:

UT086, RG405, 670-086