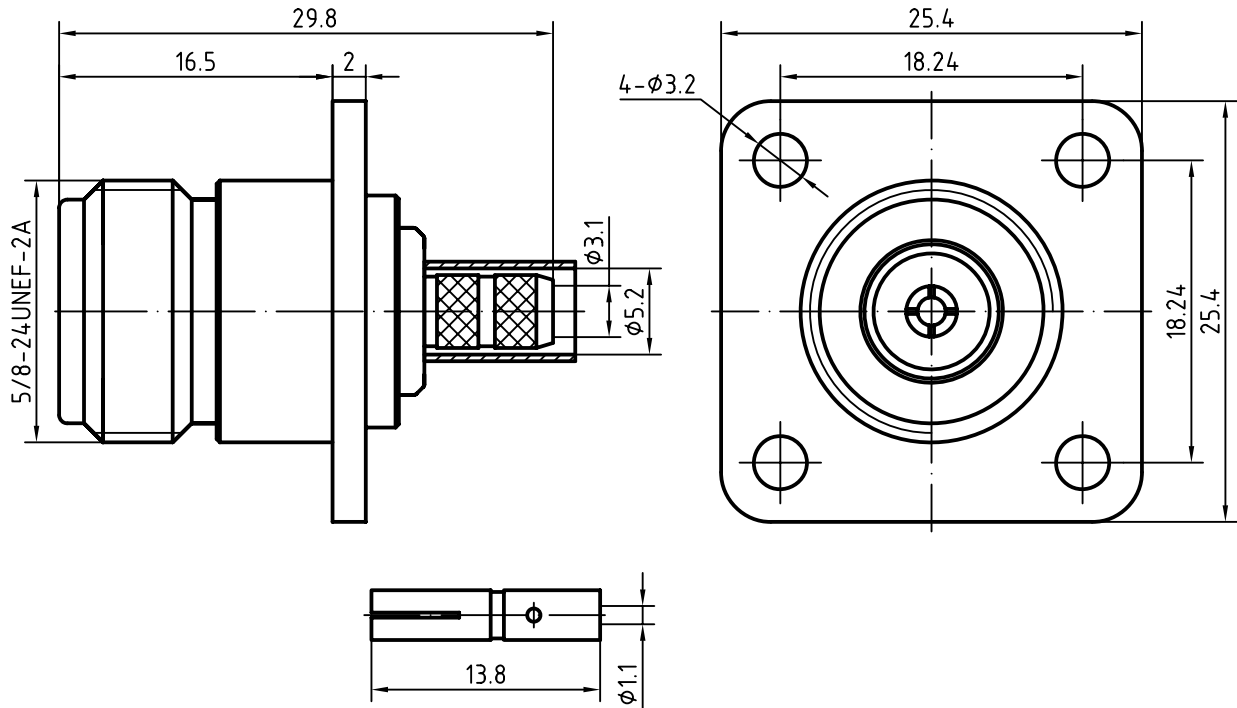
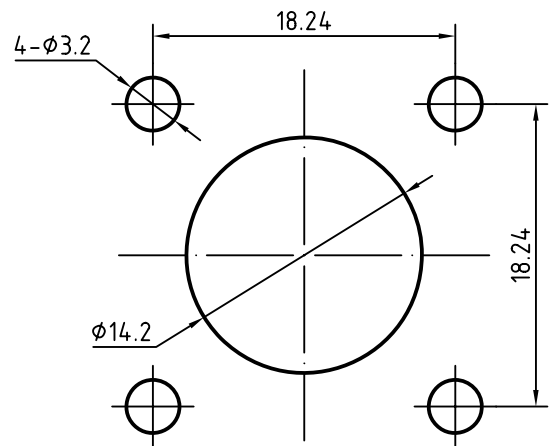
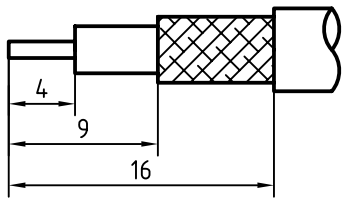


DRAWING



CABLE(RG58/U,RG400,LMR195)

MOUNTING HOLE



3	1	Body	Brass/SUCOplated	CuSnZn 3.0um over Copper 2.0um
2	1	Insulator	PTFE	
1	1	Center contact	Phosphor bronze/Gold plated	Gold 0.3um over Nickel 2.0um
Itemref	Quantity	Title/Name, designation, material, dimension etc		Article No./Reference

Designed by	Checked by	Approved by - date	File name	Date	Scale
-------------	------------	--------------------	-----------	------	-------

Amitron Electronics, Ltd.

N-KF5YT

<http://www.amel.ru>

Edition Sheet

CHARACTERISTICS

DESCRIPTION: N Type female FL connector

Electrical data:

<i>Impedance:</i>	<i>50 ohm</i>
<i>Frequency range:</i>	<i>DC to 11.0 GHz</i>
<i>VSWR:</i>	<i>$\leq 1.05 + 0.06 \times f \text{ (GHz)}$</i>
<i>Insertion loss(LMR195):</i>	<i>$\leq 0.25 \times \sqrt{f[\text{GHz}]} \text{ dB}$</i>
<i>Insulation resistance:</i>	<i>$\geq 5000\text{M}\Omega$</i>
<i>Test voltage:</i>	<i>2500 V rms</i>
<i>Working voltage:</i>	<i>1400 V rms</i>
<i>Contact resistance:</i>	
1). <i>Centre contact:</i>	<i>1.0 mΩ</i>
2). <i>Outer conductor:</i>	<i>0.25 mΩ</i>

Environmental data:

<i>Temperature rating:</i>	<i>-65 ° C to +165 ° C</i>
<i>52/95/EC (RoHS):</i>	<i>Compliant</i>

Mechanical data:

<i>Mating cycles:</i>	<i>≥ 500</i>
<i>Coupling nut retention:</i>	<i>$\geq 450 \text{ N}$</i>
<i>Coupling test torque:</i>	<i>$\leq 1.7 \text{ Nm}$</i>
<i>Recommended torque:</i>	<i>0.7 Nm to 1.1 Nm</i>

Suitable cables:

RG58/U, RG400, LMR195