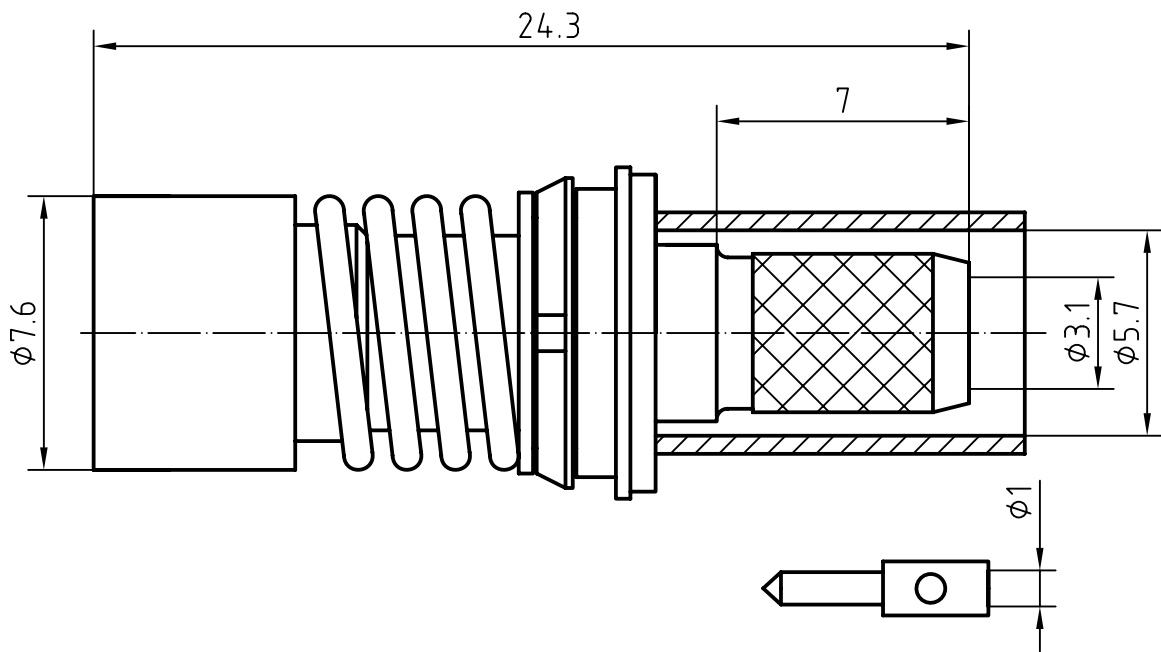
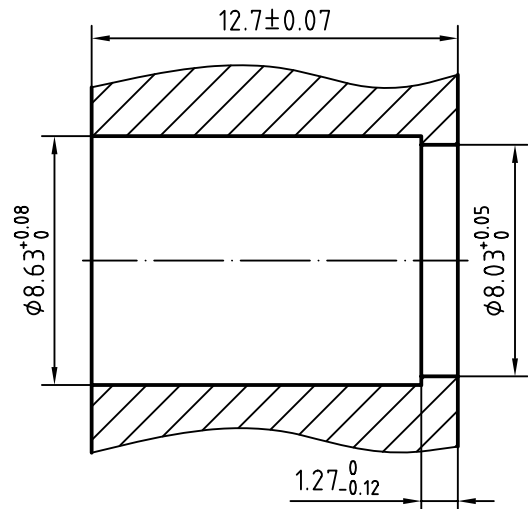
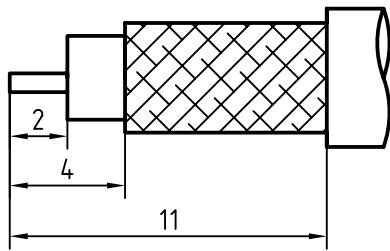


DRAWING



CABLE(RG142B/U, RG223/U, RG400/U)

MOUNTING HOLE



5	1	Others parts	Brass/Nickel plated	
4	1	Insulator	PTFE	
3	1	Body	Body/Gold plated	Gold 0.2um over Nickel 2um
2	1	Outer contact	Beryllium copper/Gold plated	Gold 0.2um over Nickel 2um
1	1	Center contact	Beryllium copper/Gold plated	Gold 0.5um over Nickel 2um

Designed by Mingang Han	Checked by Jinlong Gu	Approved by - date Hongyu Du	File name BMA-K5Y	Date 08.01.25	Scale 5 : 1
----------------------------	--------------------------	---------------------------------	----------------------	------------------	----------------

Amitron Electronics, Ltd.

BMA-K5Y

<http://www.amel.ru>

Edition
1.0

Sheet
1/1

CHARACTERISTICS

DESCRIPTION: BMA Type female BH connector

Electrical data:

<i>Impedance:</i>	50 ohm
<i>Frequency range:</i>	DC to 6GHz
<i>VSWR:</i>	$\leq 1.08 + 0.03Xf(\text{GHz})$
<i>Insertion loss:</i>	$\leq 0.08X\sqrt{f[\text{GHz}]} \text{ dB}$
<i>Insulation resistance:</i>	$\geq 5000M\Omega$
<i>Test voltage:</i>	375 V/50Hz For RG58
<i>Contact resistance:</i>	
1). Centre contact:	3.0 m Ω
2). Outer conductor:	2.0 m Ω

Environmental data:

<i>Temperature rating:</i>	-55 ° C to +125 ° C
<i>2002/95/EC (RoHS):</i>	Compliant

Mechanical data:

<i>Mating cycles:</i>	≥ 500
-----------------------	------------

Suitable cables:

RG142B/U, RG223/U, RG400/U