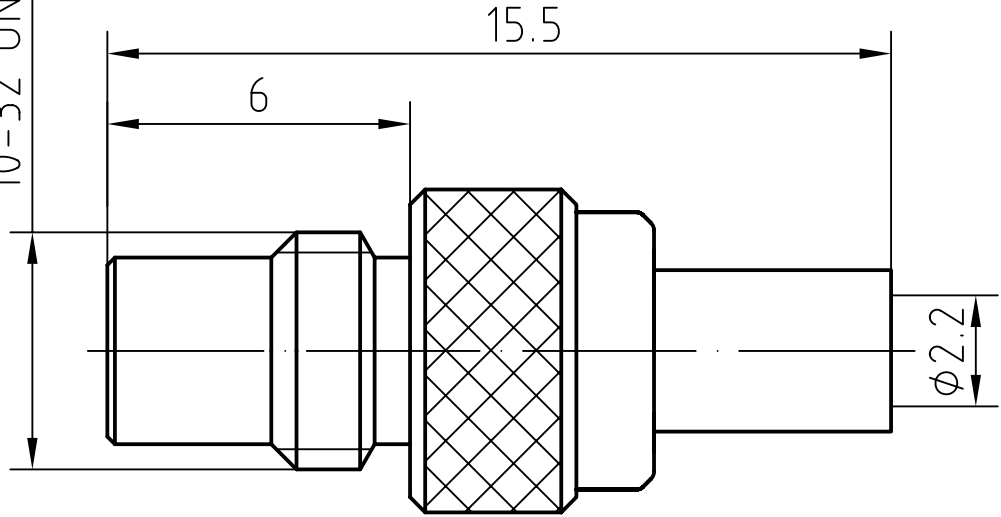
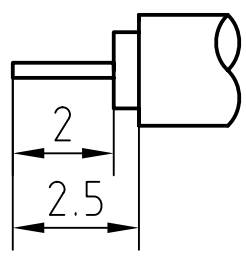


DRAWING

10-32 UNF-2A



CABLE(UT086,RG405,670-086)



3	1	Body	Brass/Gold plated	Gold 0.2um over Nickel 2um
2	1	Insulator	PTFE	
1	1	Centre contact	Brass/Gold plated	Gold 0.5um over Nickel 2um
Itemref	Quantity	Title/Name, designation, material, dimension etc		Article No./Reference

Designed by Mingang Han	Checked by Jinlong GU	Approved by - date Hongyu Du	File name SMC-JB2	Date 06.03.14	Scale 6 : 1
----------------------------	--------------------------	---------------------------------	----------------------	------------------	----------------

Amitron Electronics, Ltd.	SMC-JB2		
	<a href="http://www.amel.ru">http://www.amel.ru</a>	Edition 1.0	Sheet 1/1

## CHARACTERISTICS

DESCRIPTION: SMC Type male connector

### Electrical data:

<i>Impedance:</i>	50 ohm
<i>Frequency range:</i>	DC to 10 GHz
<i>VSWR:</i>	$\leq 1.18 + 0.04Xf[\text{GHz}]$
<i>Insertion loss:</i>	$\leq 0.18X\sqrt{f[\text{GHz}]} \text{ dB}$
<i>Insulation resistance:</i>	$\geq 1000\text{M}\Omega$
<i>Test voltage:</i>	750 V rms
<i>Working voltage:</i>	250 V rms
<i>Contact resistance:</i>	
1). Centre contact:	5.0 m $\Omega$
2). Outer conductor:	2.5 m $\Omega$
<i>RF-leakage:</i>	$\geq 90 \text{ dB up to } 1 \text{ GHz}$

### Environmental data:

<i>Temperature rating:</i>	-65 ° C to +165 ° C
<i>2002/95/EC (RoHS):</i>	Compliant

### Mechanical data:

<i>Mating cycles:</i>	$\geq 500$
<i>Center contact captivation:</i>	$\geq 150 \text{ N}$
<i>Coupling test torque:</i>	$\leq 0.71 \text{ Nm}$
<i>Recommended torque:</i>	0.25 Nm to 0.35 Nm

### Suitable cables:

UT086, RG405, 670-086