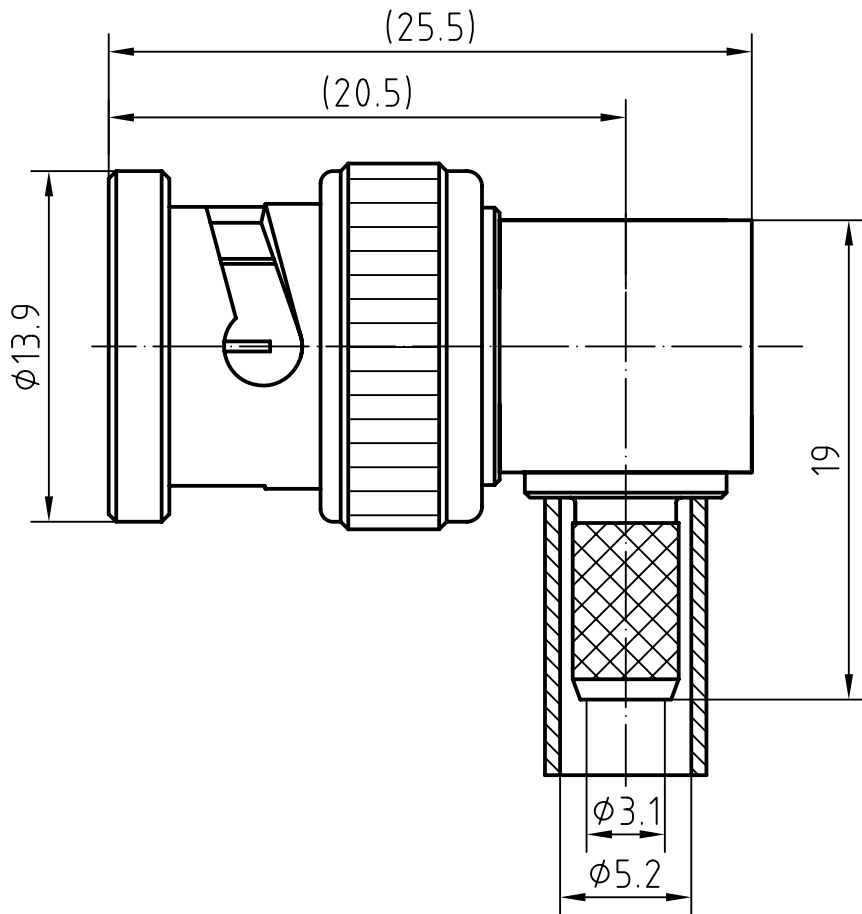
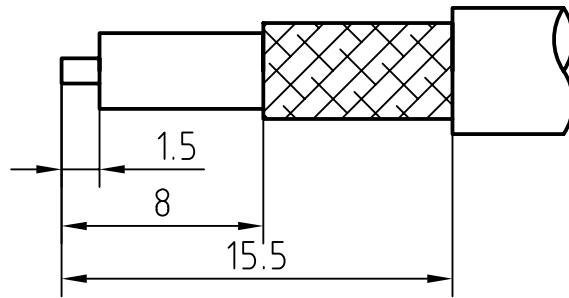


DRAWING



CABLE(RG58/U,RG303/U,LMR195)



5	1	Gasket	Silicone rubber	
4	1	Coupling nut	Brass/Nickel plated	Nickel 5um over Copper 2um
3	1	Body	Brass/Neckel plated	Nickel 5um over Copper 2um
2	1	Insulator	PTFE	
1	1	Center contact	Brass/Gold plated	Gold 0.2um over Nickel 2um
Itemref	Quantity	Title/Name, designation, material, dimension etc		Article No./Reference

Designed by Mingang Han	Checked by Jinlong GU	Approved by - date Hongyu Du	File name BNC-JW5Y	Date 10.04.07	Scale 4 : 1
----------------------------	--------------------------	---------------------------------	-----------------------	------------------	----------------

Amitron Electronics, Ltd.

BNC-JW5Y

<http://www.amel.ru>

Edition 1.0	Sheet 1/1
----------------	--------------

## CHARACTERISTICS

DESCRIPTION: BNC Type male R/A connector

### Electrical data:

<i>Impedance:</i>	<i>50 ohm</i>
<i>Frequency range:</i>	<i>DC to 4 GHz</i>
<i>VSWR:</i>	$\leq 1.08 + 0.06Xf[\text{GHz}]$
<i>Insertion loss:</i>	$\leq 0.08 \times \sqrt{f} [\text{GHz}] \text{ dB}$
<i>Insulation resistance:</i>	$\geq 5000\text{M}\Omega$
<i>Test voltage:</i>	<i>1500 V rms</i>
<i>Working voltage:</i>	<i>500 V rms</i>
<i>Contact resistance:</i>	
1). <i>Centre contact:</i>	<i>1.5 m<math>\Omega</math></i>
2). <i>Outer conductor:</i>	<i>1.0 m<math>\Omega</math></i>
<i>Power handling (at 20 °C, sea level, VSWR 1.0):</i>	<i>80 W @ 2 GHz</i>

### Environmental data:

<i>Temperature rating:</i>	<i>-65 ° C to +165 ° C</i>
<i>52/95/EC (RoHS):</i>	<i>Compliant</i>

### Mechanical data:

<i>Mating cycles:</i>	$\geq 500$
<i>Center contact captivation:</i>	$\geq 15 \text{ N(axial)}$

### Suitable cables:

*RG58/U, RG303/U, LMR195*