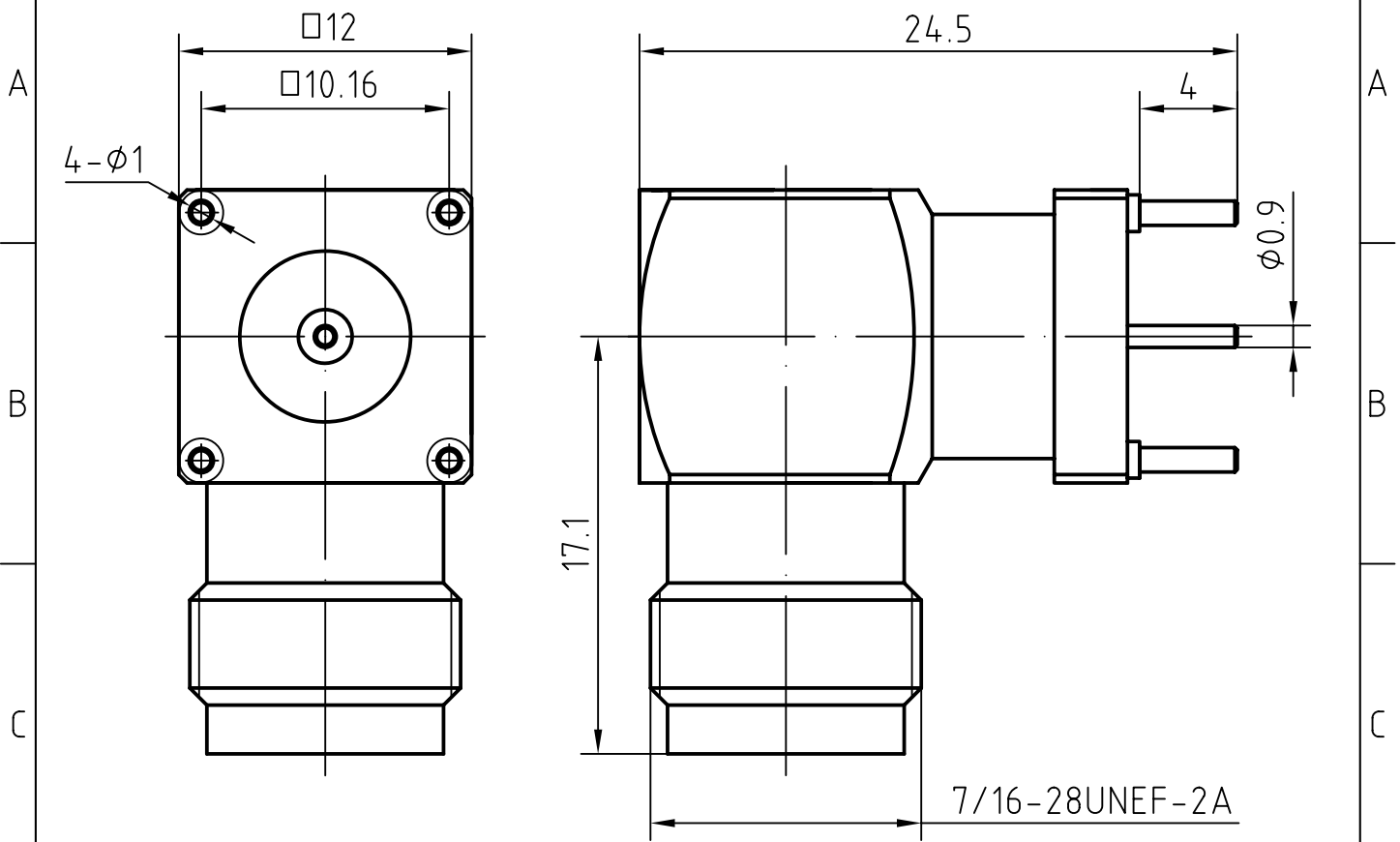
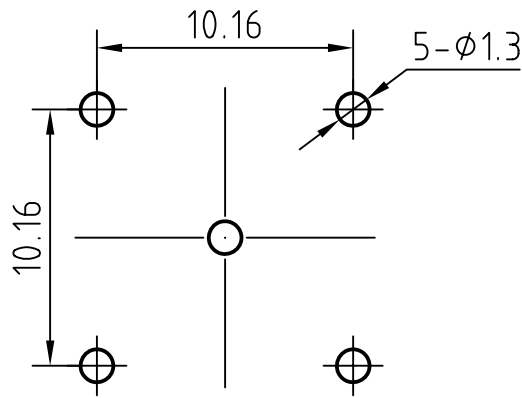


DRAWING



MOUNTING HOLE



3	1	Body	Brass/Nickel plated	Nickel 5um over Copper 2um
2	1	Insulator	PTFE	
1	1	Centor contact	Phosphor bronze/Gold plated	Gold 0.2um over Nickel 2um
Itemref	Quantity	Title/Name, designation, material, dimension etc		Article No./Reference

Designed by Mingang Han	Checked by Jinlong GU	Approved by - date Hongyu Du	File name TNC-KWHD1	Date 08.12.20	Scale 5 : 1
----------------------------	--------------------------	---------------------------------	------------------------	------------------	----------------

Amitron Electronics, Ltd.	TNC-KWHD1		
	http://www.amel.ru	Edition 1.0	Sheet 1/1

CHARACTERISTICS

DESCRIPTION: TNC Type female R/A connector for PCB

Electrical data:

Impedance: 50 ohm
Frequency range: DC to 6 GHz
VSWR: $\leq 1.3:1$
Insertion loss: $\leq 0.25 \times \sqrt{f[\text{GHz}]} \text{ dB}$
Insulation resistance: $\geq 5000\text{M}\Omega$
Test voltage: 1500 V rms
Working voltage: 500 V rms

Contact resistance:

1). Centre contact: 1.5 m Ω
2). Outer conductor: 1.0 m Ω

Environmental data:

Temperature rating: -65 ° C to +165 ° C
2002/95/EC (RoHS) Compliant

Mechanical data:

Mating cycles: ≥ 500
Center contact captivation: $\geq 15 \text{ N(axial)}$
Coupling test torque: $\leq 1.7 \text{ Nm}$
Recommended torque: 0.46 Nm to 0.69 Nm

Suitable cables:

N/A