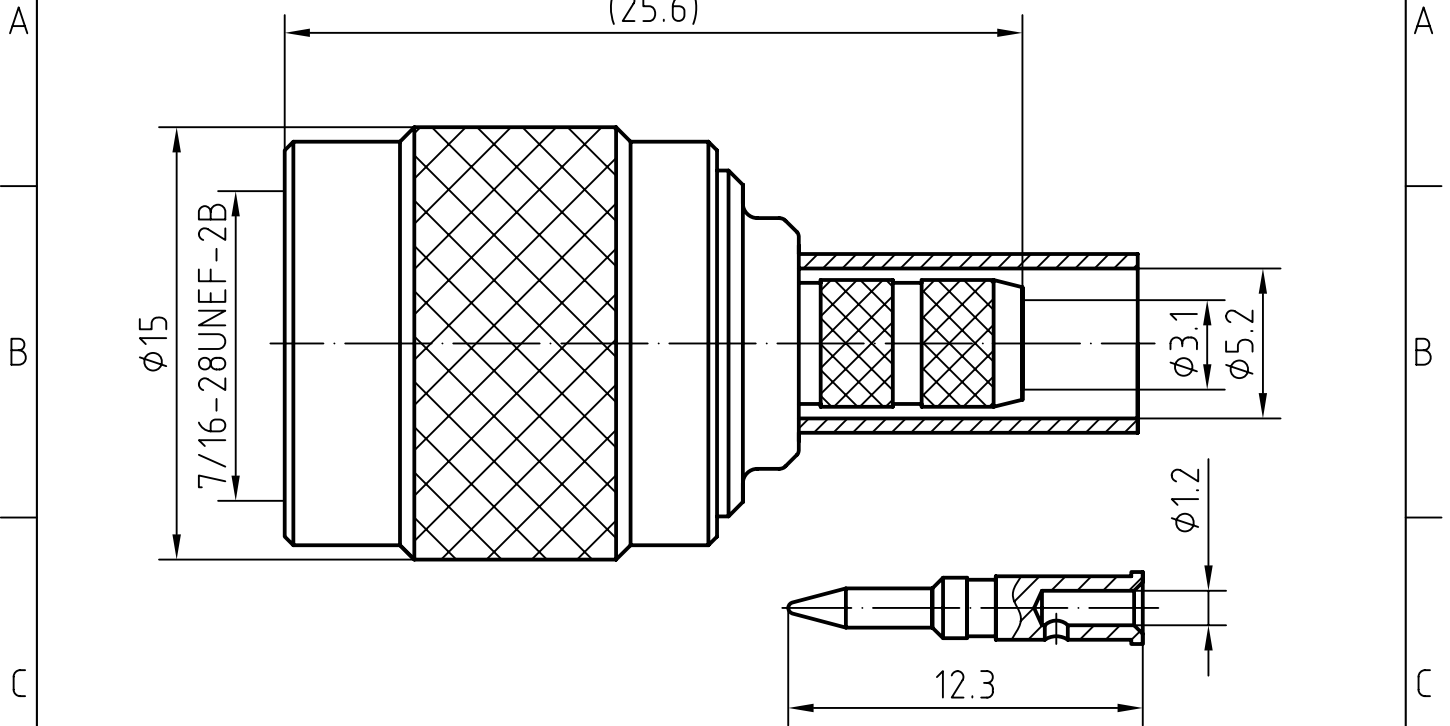
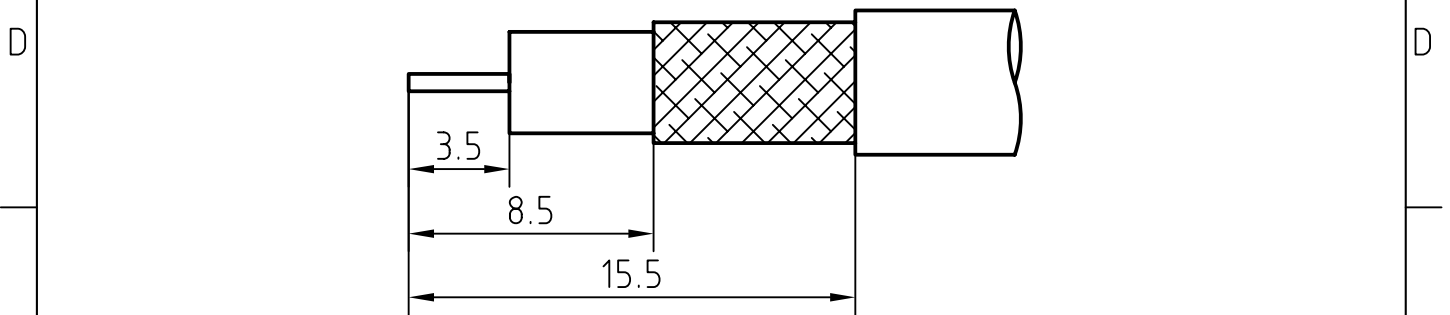


DRAWING



CABLE(LMR200)



6	1	Ferrule	Copper/Nickel plated	Nickel 7.0 over copper 2.0
5	1	O ring	Silicone rubber	
4	1	Coupling nut	Brass/Nickel plated	Nickel 7.0 over copper 2.0
3	1	Body	Brass/Nickel plated	Nickel 7.0 over copper 2.0
2	1	Insulator	PTFE	
1	1	Centor contact	Brass/Gold plated	Gold 0.3 over Nickel 2.0
Itemref	Quantity	Title/Name, designation, material, dimension etc		Article No./Reference

Designed by Mingang Han	Checked by Jinlong GU	Approved by - date Hongyu Du	File name TNC-J200Y	Date 07.01.26	Scale 4 : 1
----------------------------	--------------------------	---------------------------------	------------------------	------------------	----------------

Amitron Electronics, Ltd.

TNC-J200Y

<http://www.amel.ru>

Edition
1.0

Sheet
1/1

CHARACTERISTICS

DESCRIPTION: TNC Type male connector

Electrical data:

<i>Impedance:</i>	<i>50 ohm</i>
<i>Frequency range:</i>	<i>DC to 10 GHz</i>
<i>Return loss:</i>	<i>≥30dB, DC-2.5GHz</i> <i>≥20dB, 2.5-6GHz</i>
<i>Insertion loss:</i>	<i>≤0.15dB, DC-4GHz</i>
<i>Insulation resistance:</i>	<i>≥5000MΩ</i>
<i>Test voltage:</i>	<i>1500 V rms</i>
<i>Working voltage:</i>	<i>500 V rms</i>
<i>Contact resistance:</i>	
1). <i>Centre contact:</i>	<i>1.5 mΩ</i>
2). <i>Outer conductor:</i>	<i>1.0 mΩ</i>
<i>Power handling (at 20 ° C, sea level, VSWR 1.0):</i>	<i>≤ 80 W @ 2 GHz</i>

Environmental data:

<i>Temperature rating:</i>	<i>-65 ° C to 165 ° C</i>
<i>2002/95/EC (RoHS):</i>	<i>Compliant</i>

Mechanical data:

<i>Mating cycles:</i>	<i>≥500</i>
<i>Center contact captivation:</i>	<i>≥15 N(axial)</i>
<i>Coupling test torque:</i>	<i>≤1.7 Nm</i>
<i>Recommended torque:</i>	<i>0.46 Nm to 0.69 Nm</i>

Assembly instruction:

A0002

Suitable cables:

LMR200