

Coaxial Hermetic Connector: SMP-JD-F

Description

SMP Straight jack (Full Detent) Hermetically sealed shroud solder mount

Interface standards

MIL-STD 348A-326.2

Technical Data

Electrical Data

Impedance	50 Ω
Interface frequency max.	40 GHz
VSWR	1.05+0.012 \times f(GHz) max
Voltage rating	335 V(rms)
Test voltage	500 V(rms)
Contact resistance:	
Center conductor	≤ 6 m Ω
Out conductor	≤ 2 m Ω
Insulation resistance	≥ 5000 M Ω

Mechanical Data

Weight	0.3 g
Durability	500 Cycles

Environmental Data

Operating Temperature	-65 $^{\circ}$ C to 155 $^{\circ}$ C
Hermeticity	1x10 ⁻⁸ cc/SEC

Material Data

Piece Parts

Center contact	Kovar
Body	Kovar
Insulator	Glass 7070

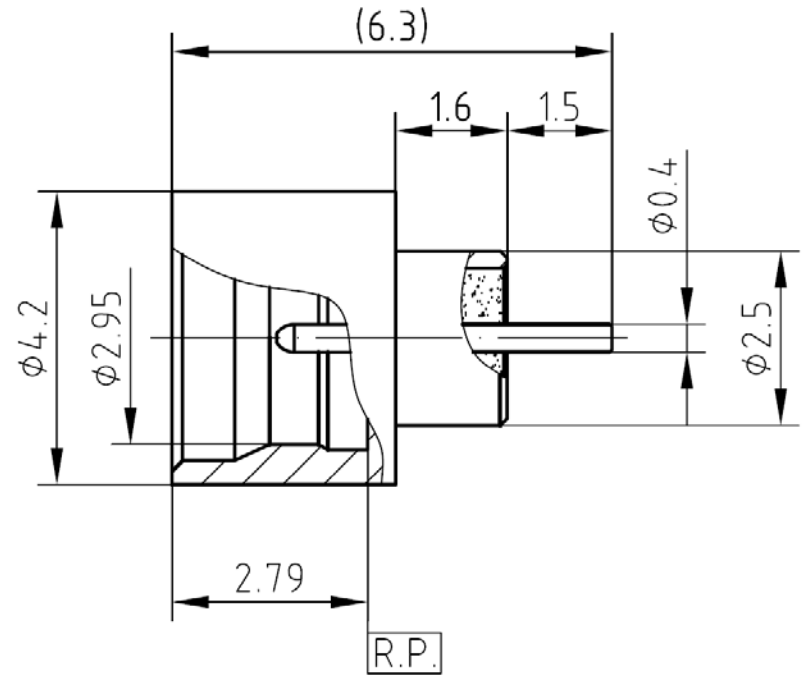
Surface Plating(μ m)

Gold 0.5 over Nickel 2.0
Gold 0.5 over Nickel 2.0



Coaxial Hermetic Connector: SMP-JD-F

Outline drawing



Packaging

Standard

250/Box=25 Bag

Other

Contact us