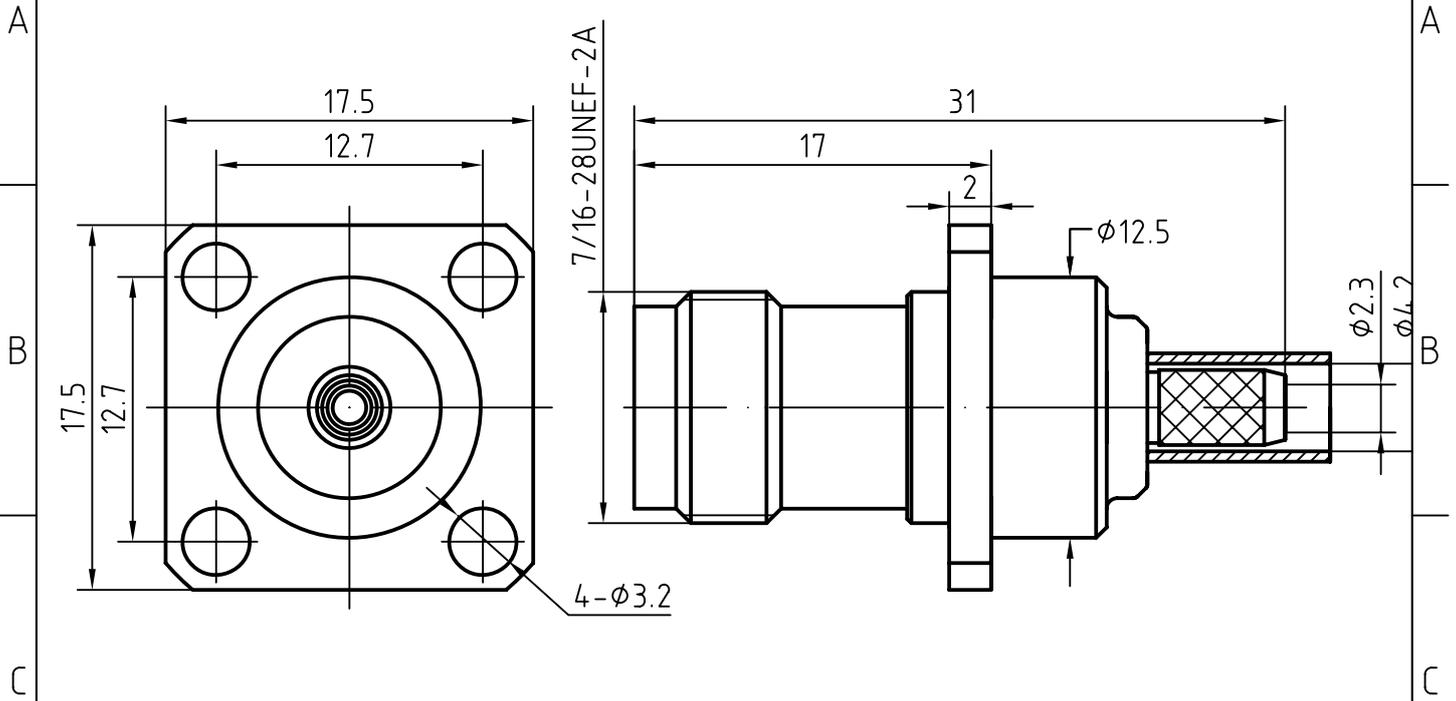
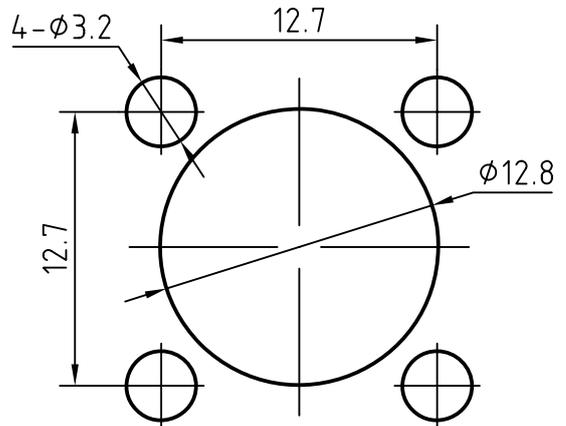
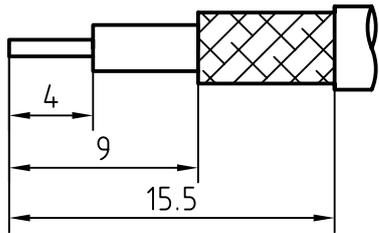


DRAWING



CABLE(SFF-50-2-1)

MOUNTING HOLE



| 3       | 1        | Body                                             | Brass/Nickel plated         | Nickel 5um over Copper 2um |
|---------|----------|--------------------------------------------------|-----------------------------|----------------------------|
| 2       | 1        | Insulator                                        | PTFE                        |                            |
| 1       | 1        | Centor contact                                   | Phosphor bronze/Gold plated | Gold 0.2um over Nickel 2um |
| Itemref | Quantity | Title/Name, designation, material, dimension etc |                             | Article No./Reference      |

|                            |                          |                                 |                       |                  |                |
|----------------------------|--------------------------|---------------------------------|-----------------------|------------------|----------------|
| Designed by<br>Mingang Han | Checked by<br>Jinlong GU | Approved by - date<br>Hongyu Du | File name<br>TNC-KF4Y | Date<br>08.02.12 | Scale<br>4 : 1 |
|----------------------------|--------------------------|---------------------------------|-----------------------|------------------|----------------|

Amitron Electronics, Ltd.

TNC-KF4Y

<http://www.amel.ru>

|                |              |
|----------------|--------------|
| Edition<br>1.0 | Sheet<br>1/1 |
|----------------|--------------|

## CHARACTERISTICS

DESCRIPTION: TNC Type female FL connector

### Electrical data:

|                                                         |                                              |
|---------------------------------------------------------|----------------------------------------------|
| <i>Impedance:</i>                                       | 50 ohm                                       |
| <i>Frequency range:</i>                                 | DC to 10 GHz                                 |
| <i>VSWR:</i>                                            | $\leq 1.08 + 0.025Xf[\text{GHz}]$            |
| <i>Insertion loss:</i>                                  | $\leq 0.08X \sqrt{f[\text{GHz}]} \text{ dB}$ |
| <i>Insulation resistance:</i>                           | $\geq 5000\text{M}\Omega$                    |
| <i>Test voltage:</i>                                    | 1500 V rms                                   |
| <i>Working voltage:</i>                                 | 500 V rms                                    |
| <i>Contact resistance:</i>                              |                                              |
| 1). Centre contact:                                     | 1.5 m $\Omega$                               |
| 2). Outer conductor:                                    | 1.0 m $\Omega$                               |
| <i>Power handling (at 20 ° C, sea level, VSWR 1.0):</i> | $\leq 80 \text{ W @ } 2 \text{ GHz}$         |

### Environmental data:

|                            |                     |
|----------------------------|---------------------|
| <i>Temperature rating:</i> | -65 ° C to +165 ° C |
| <i>2002/95/EC (RoHS):</i>  | Compliant           |

### Mechanical data:

|                                    |                            |
|------------------------------------|----------------------------|
| <i>Mating cycles:</i>              | $\geq 500$                 |
| <i>Center contact captivation:</i> | $\geq 15 \text{ N(axial)}$ |
| <i>Coupling test torque:</i>       | $\leq 1.7 \text{ Nm}$      |
| <i>Recommended torque:</i>         | 0.46 Nm to 0.69 Nm         |

### Suitable cables:

SFF-50-2-1