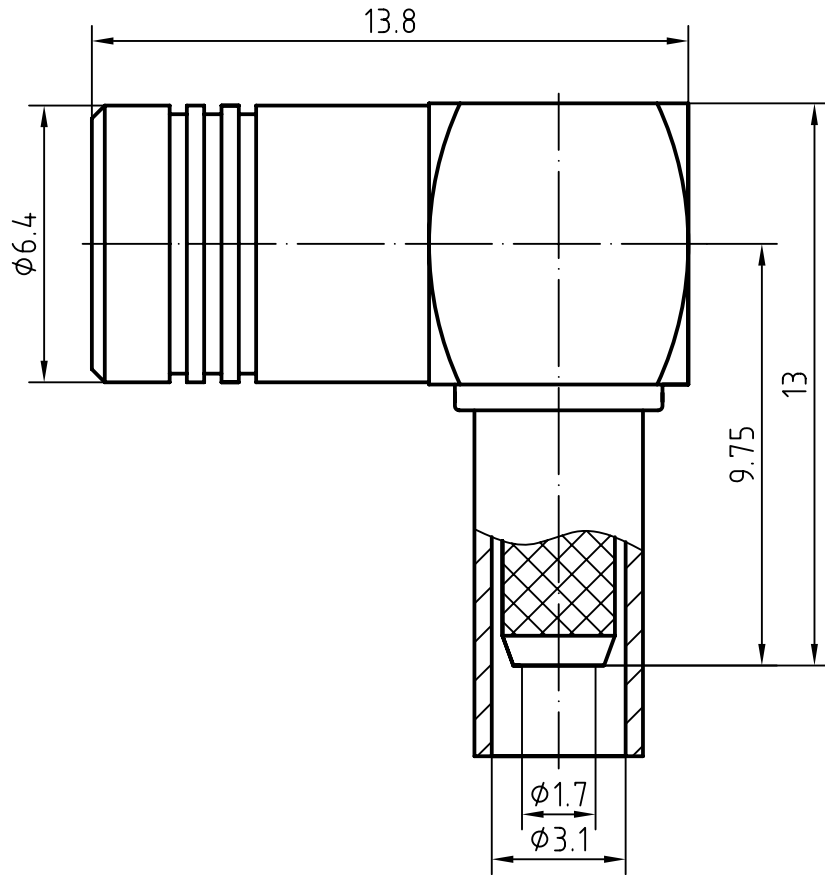
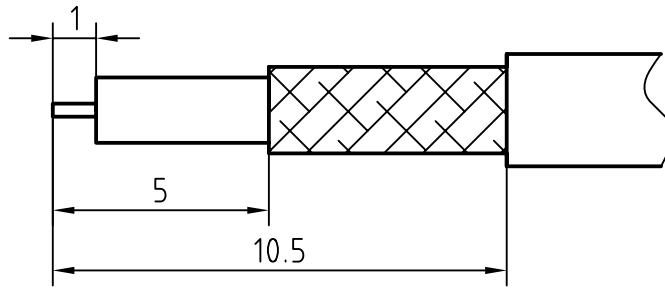


DRAWING



CABLE(RG174A/U, RG188A/U, RG316/U)



5	1	Ferrule	Copper alloy/Nicle or gold plated	
4	1	Spring contact	Beryllium copper/Gold plated	
3	1	Body	Brass/Gold plated	Gold 0.2 over Nickel 2.0
2	1	Insulator	PTFE	
1	1	Female contact	Beryllium copper/Gold plated	Gold 0.5 over Nickel 2.0
Itemref	Quantity	Title/Name, designation, material, dimension etc		Article No./Reference

Designed by Mingang Han	Checked by Jinlong GU	Approved by - date Hongyu Du	File name SMB-KW3	Date 08.02.22	Scale 7 : 1
----------------------------	--------------------------	---------------------------------	----------------------	------------------	----------------

Amitron Electronics, Ltd.

SMB-KW3

<http://www.amel.ru>

Edition 1.0	Sheet 1/1
----------------	--------------

## CHARACTERISTICS

DESCRIPTION: SMB Type female R/A connector

### Electrical data:

<i>Impedance:</i>	50 ohm
<i>Frequency range:</i>	DC to 4 GHz
<i>Return loss:</i>	≥25dB, DC-1GHz ≥20dB, 1-3GHz ≥18dB, 3-4GHz
<i>Insertion loss:</i>	≤ 0.1 x $\sqrt{f[\text{GHz}]}$ dB
<i>Insulation resistance:</i>	≥ 1000MΩ
<i>Test voltage:</i>	750 V rms
<i>Working voltage:</i>	250 V rms
<i>Contact resistance:</i>	
1). Centre contact:	5.0 mΩ
2). Outer conductor:	2.5 mΩ
<i>RF-leakage :</i>	≥ 55 dB up to 1 GHz

### Environmental data:

<i>Temperature rating:</i>	-55 ° C to 155 ° C
<i>2002/95/EC (RoHS):</i>	Compliant

### Mechanical data:

<i>Mating cycles:</i>	≥500
<i>Center contact captivation:</i>	≥ 10 N(axial)
<i>Engagement force:</i>	≤ 63 N
<i>Disengagement force:</i>	8 N min. to 63 N max.

### Suitable cables:

RG174A/U, RG188A/U, RG316/U