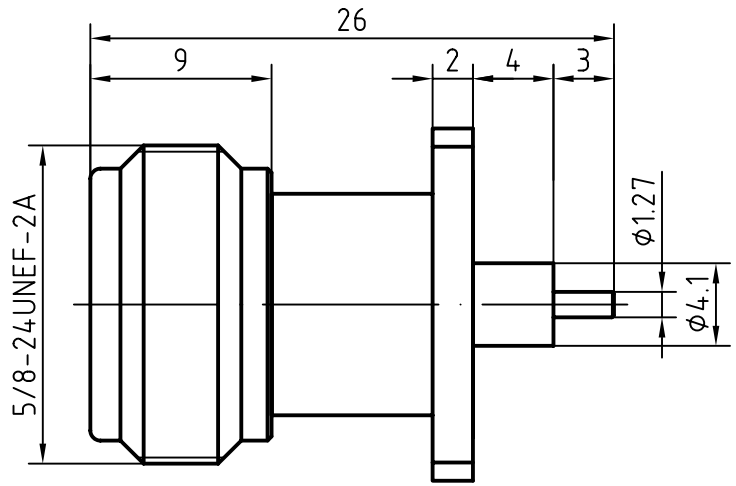
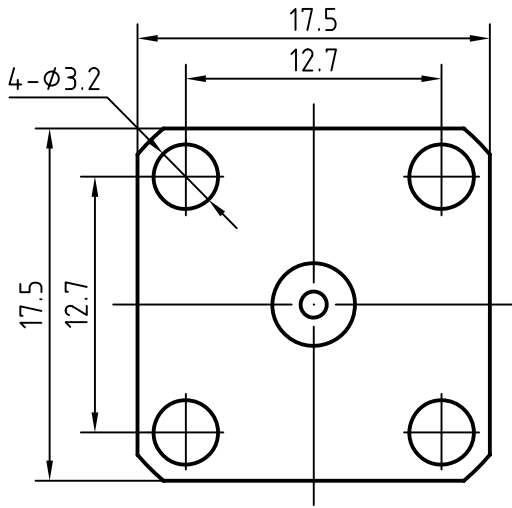
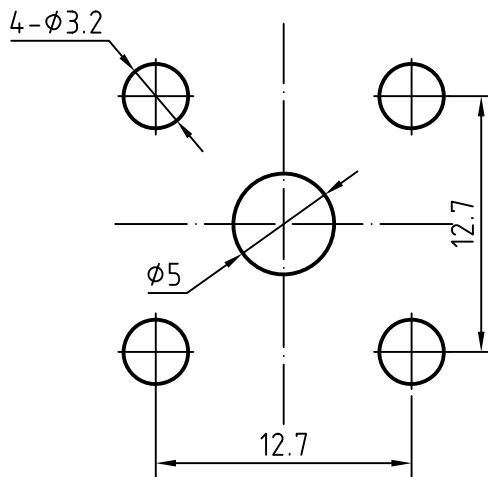


DRAWING



MOUNTING HOLE



3	1	Body	Brass/Nickel plated	Gold 0.3 over Nickel 2.0
2	1	Insulator	PTFE	
1	1	Center pin	Phosphor bronze/Gold plated	Nickel 7.0 over copper 2.0
Itemref	Quantity	Title/Name, designation, material, dimension etc		Article No./Reference

Designed by Mingang Han	Checked by Jinlong GU	Approved by - date Hongyu Du	File name N-KFD29	Date 15.03.04	Scale 3 : 1
----------------------------	--------------------------	---------------------------------	----------------------	------------------	----------------

Amitron Electronics, Ltd.

N-KFD29

<http://www.amel.ru>

Edition  
1.0

Sheet  
1/1

## CHARACTERISTICS

DESCRIPTION: N Type female FL connector

### Electrical data:

<i>Impedance:</i>	50 ohm
<i>Frequency range:</i>	DC to 11 GHz
<i>VSWR:</i>	$\leq 1.05 + 0.03 \times f \text{ [GHz]}$
<i>Insertion loss:</i>	$\leq 0.10 \times \sqrt{f \text{ [GHz]}} \text{ dB}$
<i>Insulation resistance:</i>	$\geq 5000 \text{ M}\Omega$
<i>Test voltage:</i>	2500 V rms
<i>Working voltage:</i>	1400 V rms
<i>Contact resistance:</i>	
1). <i>Centre contact:</i>	1.0 m $\Omega$
2). <i>Outer conductor:</i>	0.25 m $\Omega$
<i>Power handling (at 20 °C, sea level, VSWR 1.0):</i>	1000 W @ 1 GHz 700 W @ 2 GHz

- Limitations are possible due to the used cable type -

### Environmental data:

<i>Temperature rating:</i>	-55 ° C to +155 ° C
<i>52/95/EC (RoHS):</i>	Compliant

### Mechanical data:

<i>Mating cycles:</i>	$\geq 500$
<i>Center contact captivation(axial):</i>	$\geq 28 \text{ N}$
<i>Coupling nut retention:</i>	$\geq 450 \text{ N}$
<i>Coupling test torque:</i>	$\leq 1.7 \text{ Nm}$
<i>Recommended torque:</i>	0.7 Nm to 1.1 Nm

### Suitable cables:

N/A