

Coaxial Straight Flange Connector: N-KFD214

Description

N Type Straight panel receptacle jack (female), flange mount

Interface standards

MIL-C-39012

Technical Data

Electrical Data

Impedance	50 Ω
Interface frequency max.	11 GHz
VSWR	$1.05+0.025 \times f$ (GHz) max
Voltage rating	1000 V(rms)
Test voltage	1500 V(rms)
Contact resistance:	
Center conductor	$\leq 1\text{m} \Omega$
Out conductor	$\leq 0.2\text{m} \Omega$
Insulation resistance	$\geq 5000\text{M} \Omega$

Mechanical Data

Center contact retention	
Axial force – Mating end	27 N mini
Axial force – Opposite end	27 N mini
Torque	2.8 N.cm mini
Weight	26.5 g
Durability	500 Cycles

Environmental Data

Operating Temperature	-65 °C to 165 °C
-----------------------	------------------

Material Data

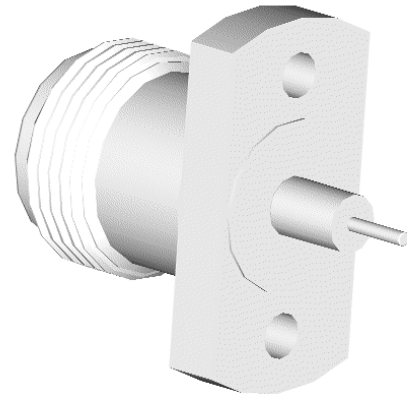
Piece Parts

Center contact	Phosphor bronze
Outer contact	Brass
Insulator	PTFE

Material

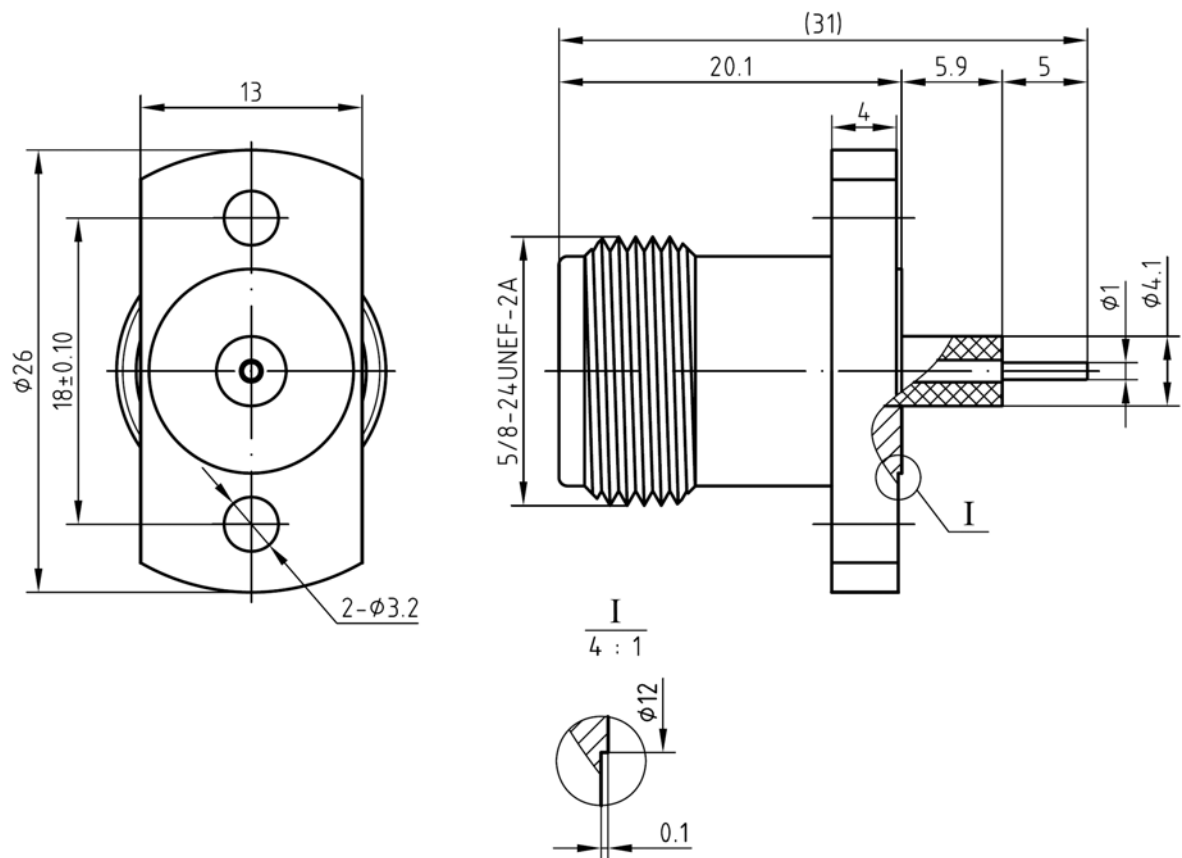
Surface Plating(μ m)

Center contact	Silver 7.0 over copper 2.0
Outer contact	Silver 7.0 over copper 2.0



Coaxial Straight Flange Connector: N-KFD214

Outline drawing



Packaging

Standard

50/Box=5Bag

Other

Contact us