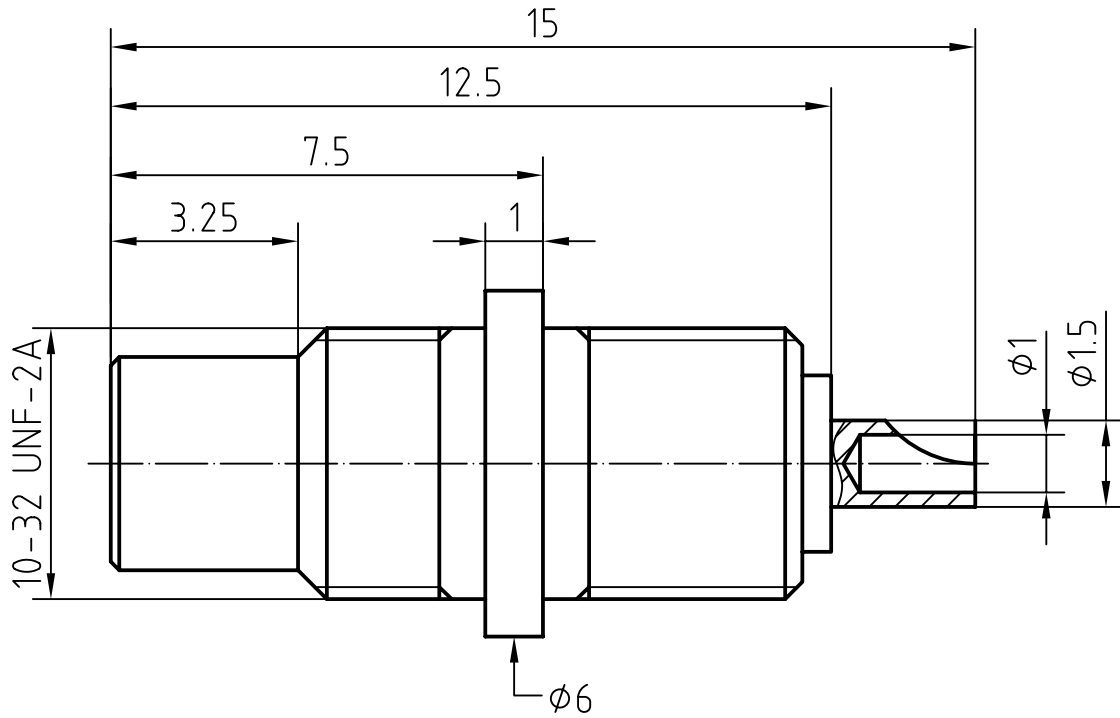
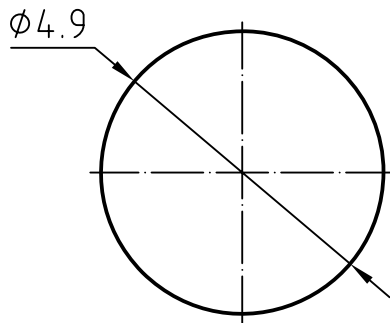


DRAWING



MOUNTING HOLE



4	1	Nut	Brass/Gold plated	Gold 0.2um over Nickel 2um
3	1	Body	Brass/Gold plated	Gold 0.2um over Nickel 2um
2	1	Insulator	PTFE	
1	1	Centre contact	Brass/Gold plated	Gold 0.5um over Nickel 2um
Itemref	Quantity	Title/Name, designation, material, dimension etc		Article No./Reference

Designed by	Checked by	Approved by - date	File name	Date	Scale
-------------	------------	--------------------	-----------	------	-------

Amitron Electronics, Ltd.

SMC-JY1

<http://www.amel.ru>

Edition Sheet

CHARACTERISTICS

DESCRIPTION: SMC Type male BH connector

Electrical data:

<i>Impedance:</i>	<i>50 ohm</i>
<i>Frequency range:</i>	<i>DC to 10 GHz</i>
<i>VSWR:</i>	$\leq 1.18 + 0.04Xf[\text{GHz}]$
<i>Insertion loss:</i>	$\leq 0.18X\sqrt{f[\text{GHz}]} \text{ dB}$
<i>Insulation resistance:</i>	$\geq 1000\text{M}\Omega$
<i>Test voltage:</i>	<i>750 V rms</i>
<i>Working voltage:</i>	<i>250 V rms</i>
<i>Contact resistance:</i>	
1). <i>Centre contact:</i>	<i>5.0 mΩ</i>
2). <i>Outer conductor:</i>	<i>2.5 mΩ</i>
<i>RF-leakage:</i>	$\geq 90 \text{ dB up to } 1 \text{ GHz}$

Environmental data:

<i>Temperature rating:</i>	<i>-65 ° C to +165 ° C</i>
<i>2002/95/EC (RoHS):</i>	<i>Compliant</i>

Mechanical data:

<i>Mating cycles:</i>	≥ 500
<i>Center contact captivation:</i>	$\geq 150 \text{ N}$
<i>Coupling test torque:</i>	$\leq 0.71 \text{ Nm}$
<i>Recommended torque:</i>	<i>0.25 Nm to 0.35 Nm</i>

Suitable cables:

N/A