

DATA SHEET Coaxial 2.92 Series

Adapter: 2.92-KK

Description

Adaptor 2.92 jack (female) / 2.92 jack (female)

Interface standards

MIL-STD-348A/323

Technical Data

Electrical Data

Impedance	50 Ω
Interface frequency max.	40 GHz
VSWR	1.20max @40GHz
Insert loss	$\leq 0.04X \sqrt{f(\text{GHz})}$
RF Leakage	$\leq -100\text{dB}$
Voltage rating	350 V(rms)
Test voltage	750 V(rms)
Contact resistance:	
Center conductor	$\leq 3.0 \text{ m}\Omega$
Out conductor	$\leq 2.0 \text{ m}\Omega$
Insulation resistance	$\geq 5000\text{M}\Omega$

Mechanical Data

Weight	3.3 g
Durability	2000min Cycles

Environmental Data

Operating Temperature	-55 °C to 125 °C
-----------------------	------------------

Material Data

Piece Parts

Center contact	Beryllium copper
Body	Stainless steel
Insulator	PEI (Ultem)

Material

Beryllium copper
Stainless steel
PEI (Ultem)

Surface Plating(μm)

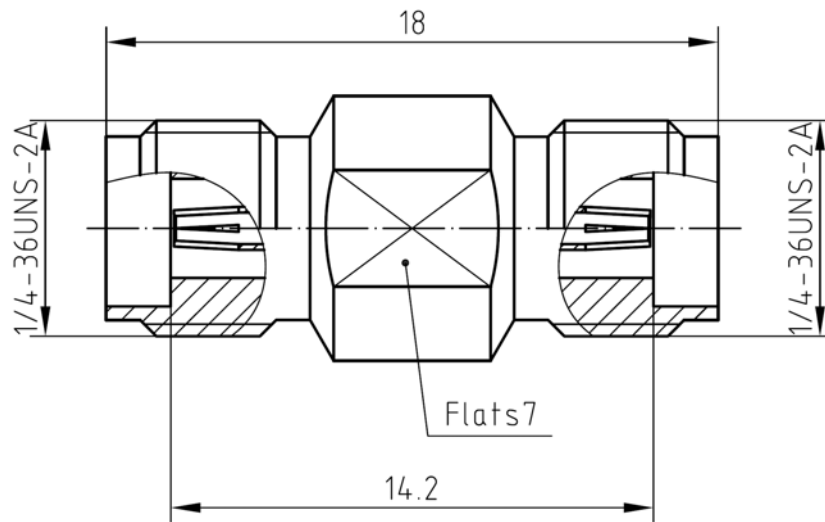
Gold 1.27 over nickle 2.0
Passivated



DATA SHEET Coaxial 2.92 Series

Adapter: 2.92-KK

Outline drawing



Packaging

Standard

100/Box=10 Bag

Other

Contact us