

Coaxial Cable Connector: TNC-J8DFBK3

Description

TNC Straight cable plug for flexible cable 8D-FB

Interface standards

MIL-C-39012

Technical Data

Electrical Data

| | |
|--------------------------|---------------------------------|
| Impedance | 50 Ω |
| Interface frequency max. | 11 GHz |
| VSWR | $1.05+0.035 \times f$ (GHz) max |
| Voltage rating | 1000 V(rms) |
| Test voltage | 1500 V(rms) |
| Contact resistance: | |
| Center conductor | $\leq 1.0\text{m } \Omega$ |
| Out conductor | $\leq 0.2\text{m } \Omega$ |
| Insulation resistance | $\geq 5000\text{M } \Omega$ |

Mechanical Data

| | |
|------------|------------|
| Weight | 50.5 g |
| Durability | 500 Cycles |

Environmental Data

| | |
|-----------------------|------------------|
| Operating Temperature | -65 °C to 165 °C |
|-----------------------|------------------|

Material Data

Piece Parts

| | |
|----------------|-----------------|
| Center contact | Phosphor Bronze |
| Body | Brass |
| Gasket | Silicone Rubber |
| Insulator | PTFE |
| Other pieces | Brass |

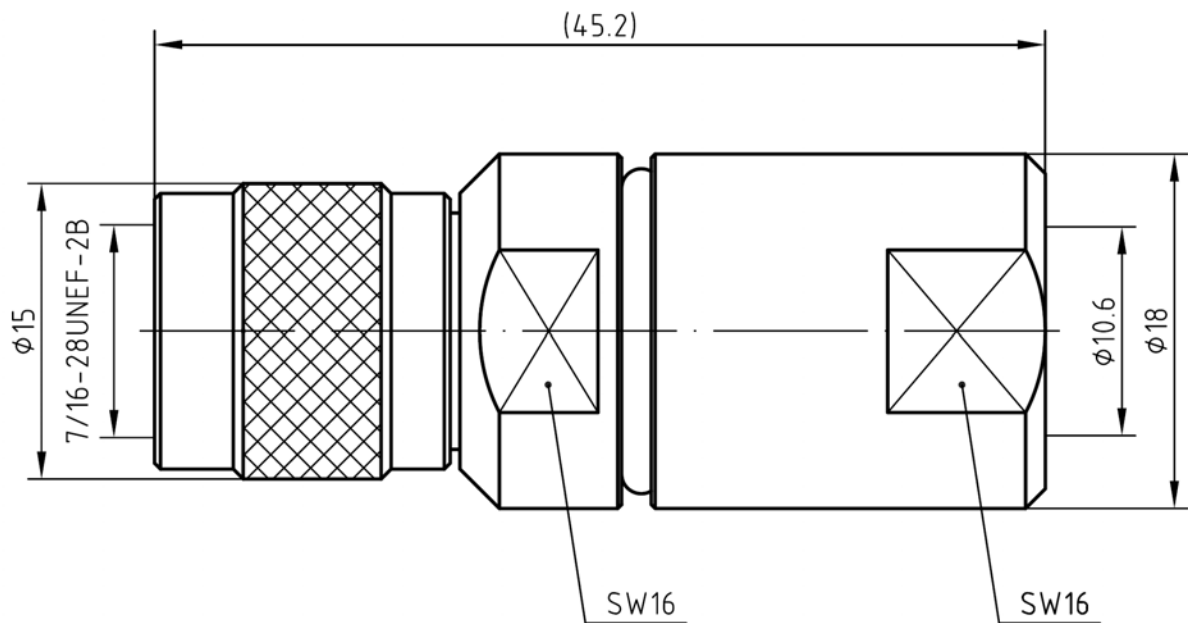


Surface Plating(μm)

| |
|----------------------------------|
| Gold 0.3 over Nickel 2.0 |
| White copper 4.0 over copper 1.0 |
| White copper 4.0 over copper 1.0 |

Coaxial Cable Connector: TNC-J8DFBK3

Outline drawing



Packaging

Standard

50/Box=5 Bag

Other

Contact us