

Coaxial 7/16 Series Adapter: 7/16-KFK

Description

Adaptor 7/16 jack (female) / 7/16 jack (female) 4 hole panel mount

Interface standards

MIL-C-39012

Technical Data

Electrical Data

Impedance	50 Ω
Interface frequency max.	7.5 GHz
VSWR	$1.05+0.02 \times f$ (GHz) max
Voltage rating	1000 V(rms)
Test voltage	2500 V(rms)
Contact resistance:	
Center conductor	≤ 2 m Ω
Out conductor	≤ 0.5 m Ω
Insulation resistance	≥ 5000 M Ω

Mechanical Data

Weight	143 g
Durability	500 Cycles

Environmental Data

Operating Temperature	-65 °C to 165 °C
-----------------------	------------------

Material Data

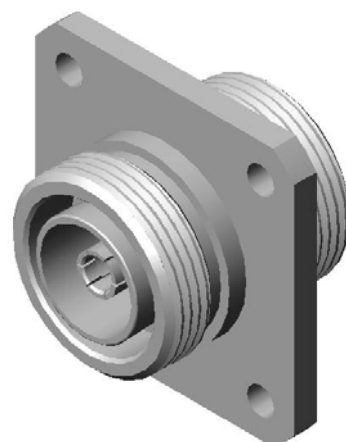
Piece Parts

Center contact	Phosphor bronze
Outer contacts	Brass
Body	Brass
Insulator	PTFE

Material

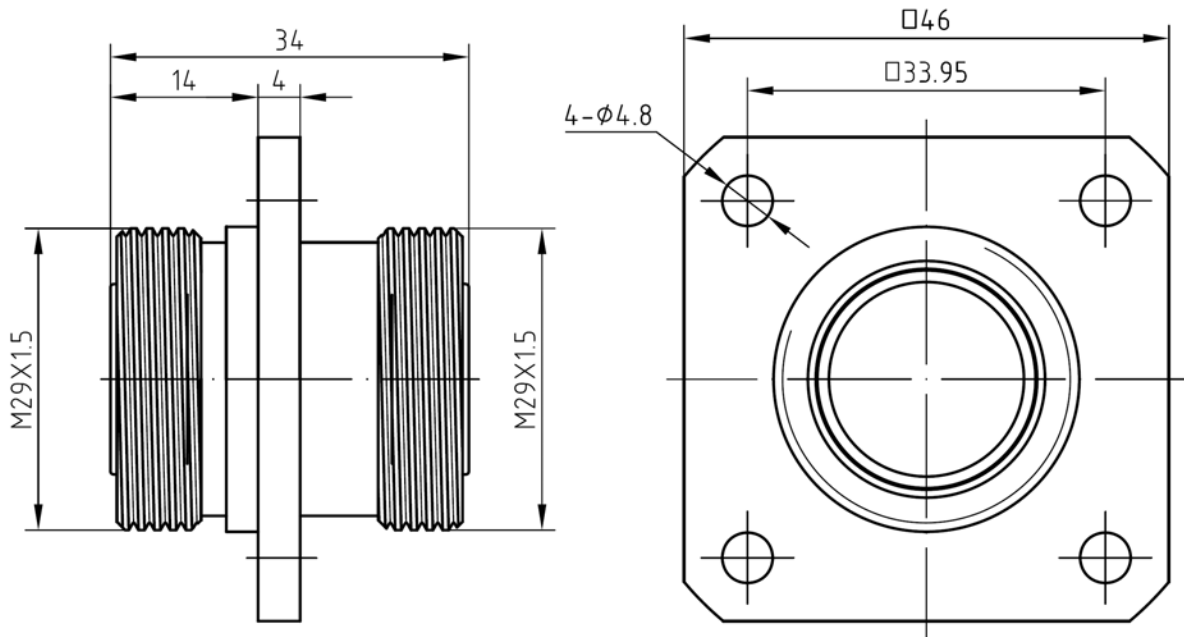
Surface Plating(μ m)

Silver 6.0 over copper 2.0
Silver 6.0 over copper 2.0
White copper 4.0 over silver 2.0



Coaxial 7/16 Series Adapter: 7/16-KFK

Outline drawing



Packaging

Standard

20/Box=20 Bag

Other

Contact us