

DATA SHEET

Coaxial Between Series Adapter: N/3.5-JKG

Description

Adaptor N plug (male) / 3.5mm jack (female)

Interface standards

MIL-C-39012



Technical Data

Electrical Data

| | |
|--------------------------|-----------------------------------|
| Impedance | 50 Ω |
| Interface frequency max. | 18 GHz |
| VSWR | 1.10max |
| Insert loss | $\leq 0.05X \sqrt{f(\text{GHz})}$ |
| RF Leakage | $\leq -100\text{dB}$ |
| Voltage rating | 500 V(rms) |
| Test voltage | 1000 V(rms) |
| Contact resistance: | |
| Center conductor | $\leq 3 \text{ m}\Omega$ |
| Out conductor | $\leq 2 \text{ m}\Omega$ |
| Insulation resistance | $\geq 5000\text{M}\Omega$ |

Mechanical Data

| | |
|------------|----------------|
| Weight | 36 g |
| Durability | 2000min Cycles |

Environmental Data

| | |
|-----------------------|------------------|
| Operating Temperature | -55 °C to 125 °C |
|-----------------------|------------------|

Material Data

Piece Parts

Center contact
Body
Insulator
Coupling nut

Material

Beryllium copper
Stainless Steel
PEI (Ultem)
Stainless Steel

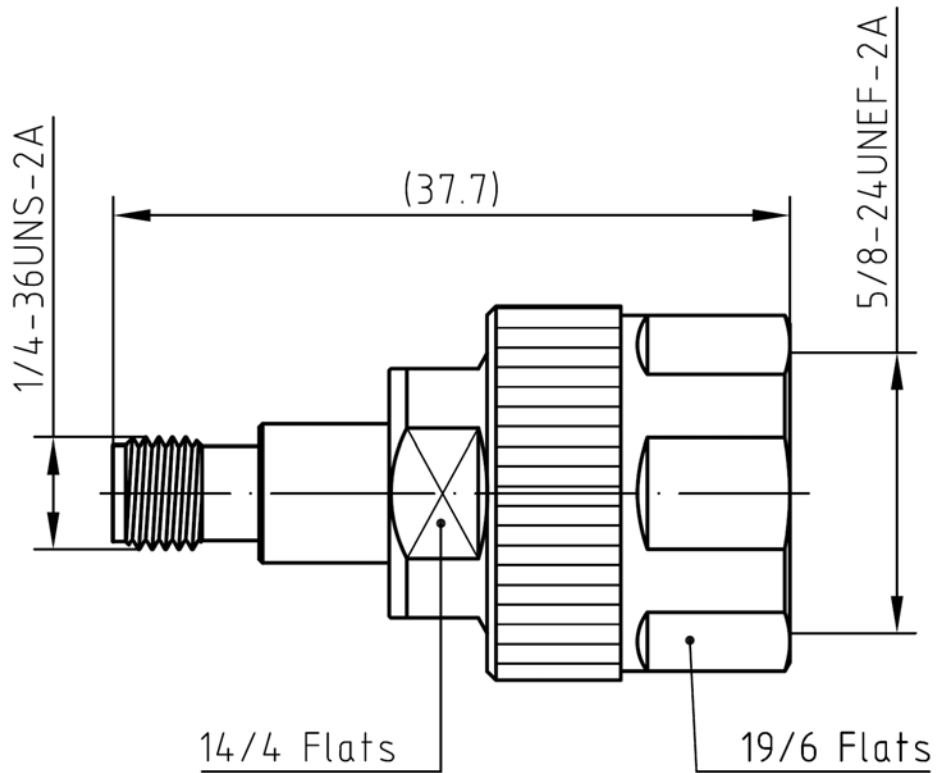
Surface Plating(μm)

Gold 1.27 over Nickel 2.0
Passivated
Passivated

DATA SHEET

Coaxial Between Series Adapter: N/3.5-JKG

Outline drawing



Packaging

Standard

50/Box=5 Bag

Other

Contact us