

Coaxial Cable Connector: N-KY5DY

Description

Straight Bulkhead Jack for flexible cable 5/50D

Interface standards

MIL-C-39012

Technical Data

Electrical Data

Impedance	50 Ω
Interface frequency max.	8 GHz
VSWR	$1.05+0.06 \times f$ (GHz) max
Voltage rating	1000 V(rms)
Test voltage	1500 V(rms)
Contact resistance:	
Center conductor	$\leq 1.0m \Omega$
Out conductor	$\leq 0.2m \Omega$
Insulation resistance	$\geq 5000M \Omega$

Mechanical Data

Weight	36 g
Durability	500 Cycles

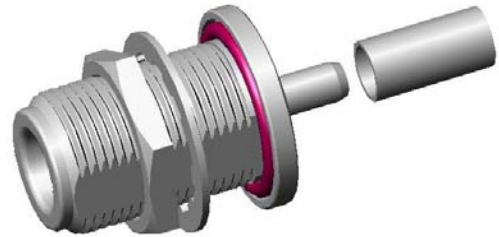
Environmental Data

Operating Temperature	-65 °C to 165 °C
-----------------------	------------------

Material Data

Piece Parts

Center contact	Phosphor Bronze
Body	Brass
Gasket	Silicone Rubber
Insulator	PTFE
Other pieces	Brass

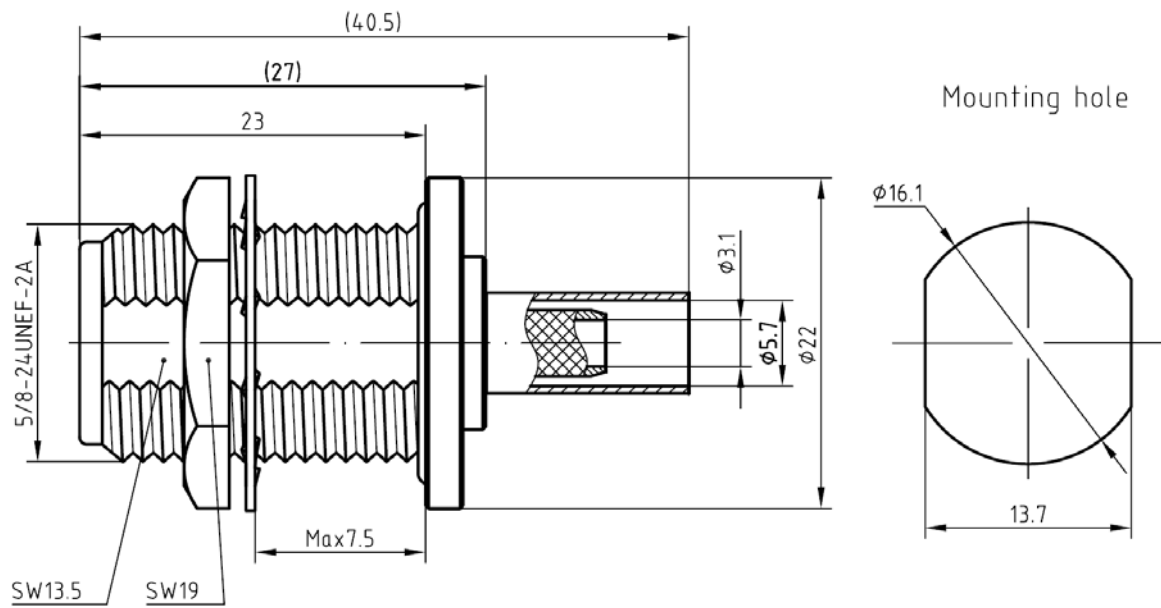


Surface Plating(μm)

Gold 0.3 over Nickel 2.0
Nickel 7.0 over copper 2.0
Nickel 7.0 over copper 2.0

Coaxial Cable Connector: N-KY5DY

Outline drawing



Packaging

Standard

40/Box=4 Bag

Other

Contact us