

Coaxial Cable Connector: BNC-JWB2

Description

BNC Right angle cable plug solder type cable .086

Interface standards

MIL-C-39012

Technical Data

Electrical Data

| | |
|--------------------------|-------------------------------|
| Impedance | 50 Ω |
| Interface frequency max. | 4 GHz |
| VSWR | 1.05+0.08 \times f(GHz) max |
| Voltage rating | 500 V(rms) |
| Test voltage | 1000 V(rms) |
| Contact resistance: | |
| Center conductor | $\leq 1.5\text{m}\Omega$ |
| Out conductor | $\leq 1.0\text{m}\Omega$ |
| Insulation resistance | $\geq 5000\text{M}\Omega$ |

Mechanical Data

| | |
|------------|------------|
| Weight | 17 g |
| Durability | 500 Cycles |

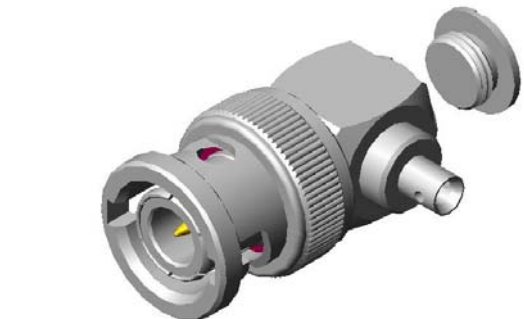
Environmental Data

| | |
|-----------------------|--|
| Operating Temperature | -65 $^{\circ}\text{C}$ to 165 $^{\circ}\text{C}$ |
|-----------------------|--|

Material Data

Piece Parts

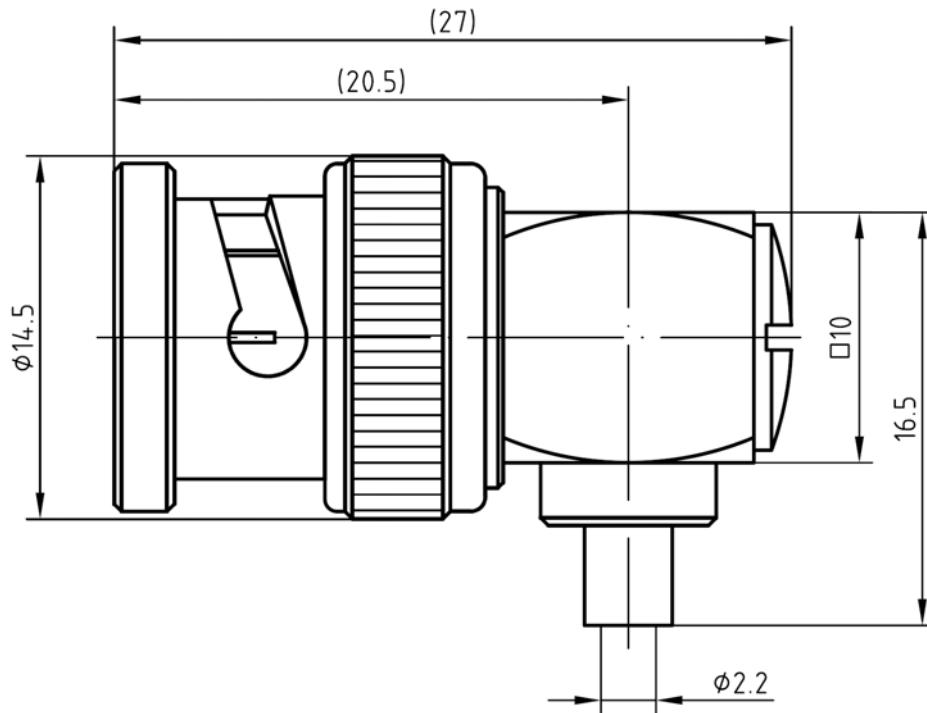
| | |
|----------------|-----------------|
| Center contact | Brass |
| Body | Brass |
| Other pieces | Brass |
| Gasket | Silicone Rubber |
| Insulator | PTFE |



| |
|--|
| Surface Plating(μm) |
| Gold 0.3 over copper 2.0 |
| Nickel 7.0 over copper 2.0 |
| and White copper 4.0 over copper 1.0 |
| Nickel 7.0 over copper 2.0 |

Coaxial Cable Connector: BNC-JWB2

Outline drawing



Packaging

Standard

50/Box= 5 Bag

Other

Contact us