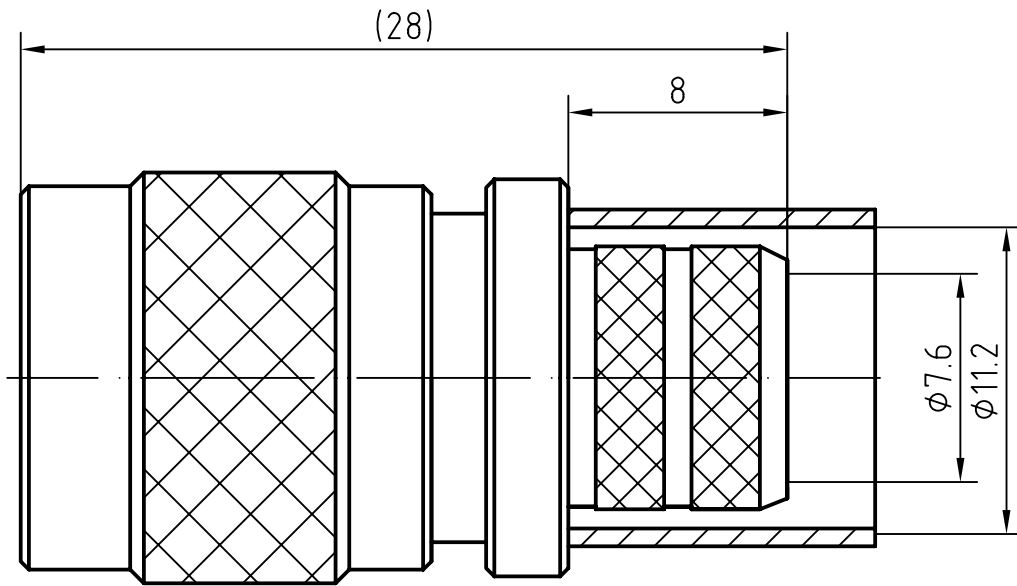
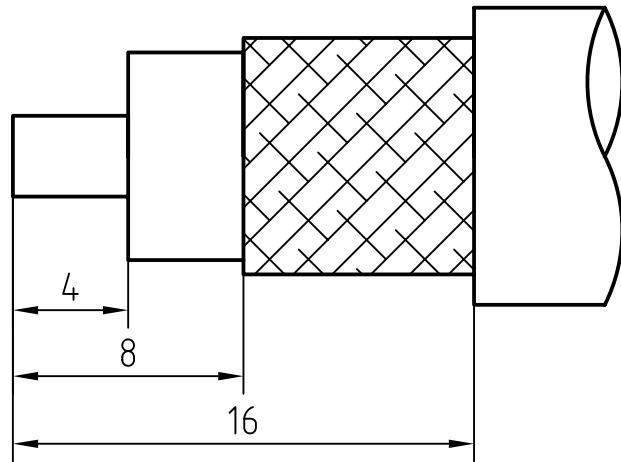


DRAWING



CABLE(RG214/U,SYV-50-7-2)



6	1	Ferrule	Copper/Nickel plated	Nickel 5um over Copper 2um
5	1	O ring	Silicone rubber	
4	1	Coupling nut	Brass/Nickel plated	Nickel 5um over Copper 2um
3	1	Body	Brass/Nickel plated	Nickel 5um over Copper 2um
2	1	Insulator	PTFE	
1	1	Center contact	Brass/Gold plated	Gold 0.2um over Nickel 2um

Designed by Mingang Han	Checked by Kinglong Gu	Approved by - date Hongyu Du	File name TNC-J7DY	Date 08.04.20	Scale 1:1
----------------------------	---------------------------	---------------------------------	-----------------------	------------------	--------------

Amitron Electronics, Ltd.	TNC-J7DY	
	http://www.amel.ru	Edition 1.0 Sheet 1/1

CHARACTERISTICS

DESCRIPTION: TNC Type male connector

Electrical data:

<i>Impedance:</i>	50 ohm
<i>Frequency range:</i>	DC to 10 GHz
<i>VSWR:</i>	$\leq 1.08 + 0.025 \times f[\text{GHz}]$
<i>Insertion loss:</i>	$\leq 0.08 \times \sqrt{f[\text{GHz}]} \text{ dB}$
<i>Insulation resistance:</i>	$\geq 5000 \text{ M}\Omega$
<i>Test voltage:</i>	1500 V rms
<i>Working voltage:</i>	500 V rms
<i>Contact resistance:</i>	
1). Centre contact:	1.5 m Ω
2). Outer conductor:	1.0 m Ω
<i>Power handling (at 20 ° C, sea level, VSWR 1.0):</i>	$\leq 80 \text{ W @ 2 GHz}$

Environmental data:

<i>Temperature rating:</i>	-65 ° C to +165 ° C
<i>2002/95/EC (RoHS):</i>	Compliant

Mechanical data:

<i>Mating cycles:</i>	≥ 500
<i>Center contact captivation:</i>	$\geq 15 \text{ N(axial)}$
<i>Coupling test torque:</i>	$\leq 1.7 \text{ Nm}$
<i>Recommended torque:</i>	0.46 Nm to 0.69 Nm

Suitable cables:

RG214/U, SYV-50-7-2