

DATA SHEET

Coaxial Between Series Adapter: N/3.5-KKG

Description

Adaptor N jack (female) / 3.5mm jack (female)

Interface standards

MIL-C-39012

Technical Data

Electrical Data

Impedance	50 Ω
Interface frequency max.	18 GHz
VSWR	1.10max
Insert loss	$\leq 0.05X \sqrt{f(\text{GHz})}$
RF Leakage	$\leq -100\text{dB}$
Voltage rating	500 V(rms)
Test voltage	1000 V(rms)
Contact resistance:	
Center conductor	$\leq 3 \text{ m}\Omega$
Out conductor	$\leq 2 \text{ m}\Omega$
Insulation resistance	$\geq 5000\text{M}\Omega$

Mechanical Data

Weight	26.5 g
Durability	2000min Cycles

Environmental Data

Operating Temperature	-55 °C to 125 °C
-----------------------	------------------

Material Data

Piece Parts

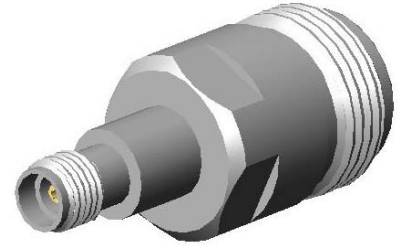
Center contact	Beryllium copper
Body	Stainless Steel
Insulator	PEI (Ultem)

Material

Beryllium copper
Stainless Steel
PEI (Ultem)

Surface Plating(μm)

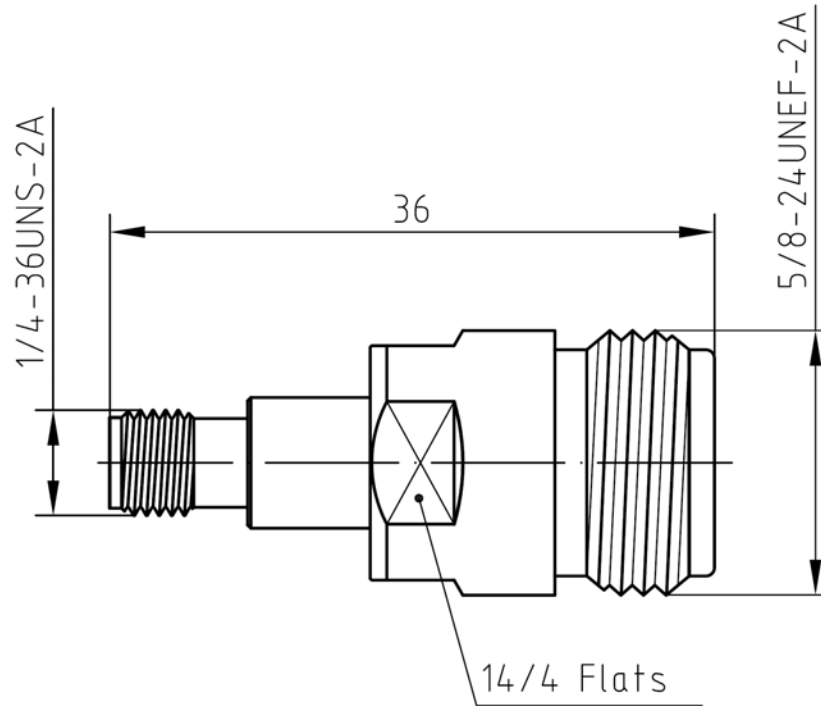
Gold 1.27 over Nickel 2.0
Passivated



DATA SHEET

Coaxial Between Series Adapter: N/3.5-KKG

Outline drawing



Packaging

Standard

Other

50/Box=5 Bag

Contact us