

Coaxial Right Angle PCB Connector: SMA-KWHD

Description

SMA Right Angle jack receptacle for PCB solder legs

Interface standards

MIL-C-39012

Technical Data

Electrical Data

Impedance	50 Ω
Interface frequency max.	6 GHz
VSWR	1.08+0.05 \times f(GHz) max
Voltage rating	500 V(rms)
Test voltage	1000 V(rms)
Contact resistance:	
Center conductor	$\leq 3\text{m } \Omega$
Out conductor	$\leq 2\text{m } \Omega$
Insulation resistance	$\geq 5000\text{M } \Omega$

Mechanical Data

Center contact retention	
Axial force – Mating end	27 N min
Axial force – Opposite end	27 N min
Torque	2.8 N.cm min
Weight	3.8 g
Durability	500 Cycles

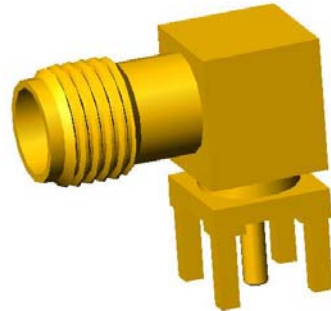
Environmental Data

Operating Temperature	-65 $^{\circ}\text{C}$ to 165 $^{\circ}\text{C}$
-----------------------	--

Material Data

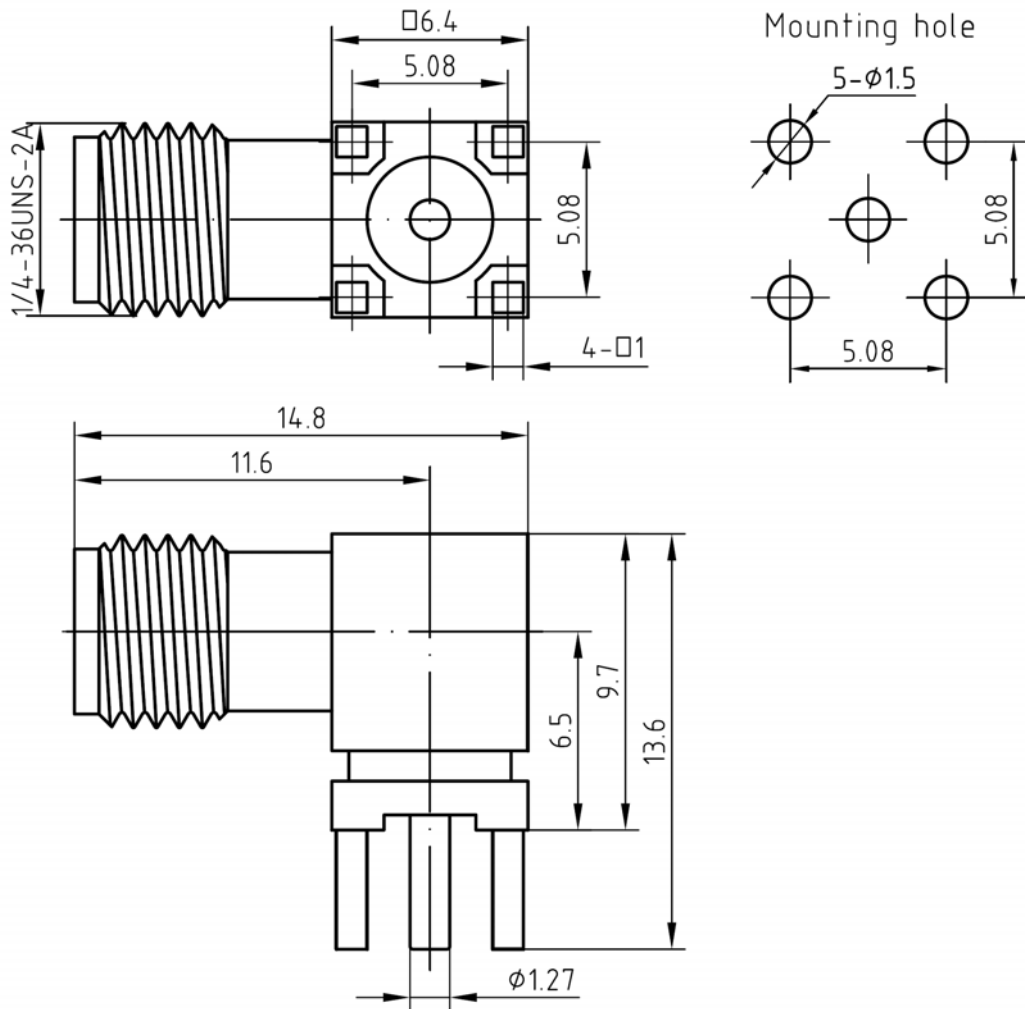
Piece Parts

	Material	Surface Plating(μm)
Body	Brass	Gold 0.2 over Nickel 2.0
Center contact	Beryllium copper	Gold 0.5 over Nickel 2.0
Insulator	PTFE	



Coaxial Right Angle PCB Connector: SMA-KWHD

Outline drawing



Packaging

Standard

Other

150/Box=15Bag

Contact us