

Coaxial Attenuator: SMA 2W 40dB 18G

ATR-50SMAMF18-040-2

Attenuator, SMA(male)-SMA (female), power 2 Watt, frequency 18 GHz , rejection 40 db

Technical Data

Electrical Data

Impedance	50 Ω
Fr. Range	DC~18GHz
VSWR	1.35 max
Average Power	2 W
Peak Power	0.5 KW
Atten&Accuracy	40 \pm 1dB
Voltage rating	350 V(rms)
Test voltage	750 V(rms)
Contact resistance:	
Center conductor	\leq 3m Ω
Out conductor	\leq 2m Ω
Insulation resistance	\geq 5000M Ω

Mechanical Data

Connector Type:	SMA
Weight	10 g
Durability	500 Cycles

Environmental Data

Operating Temperature	-55 $^{\circ}$ C to +125 $^{\circ}$ C
-----------------------	---------------------------------------

Material Data

Piece Parts

Body	Brass
Center contact	Beryllium copper
Insulator	PTFE

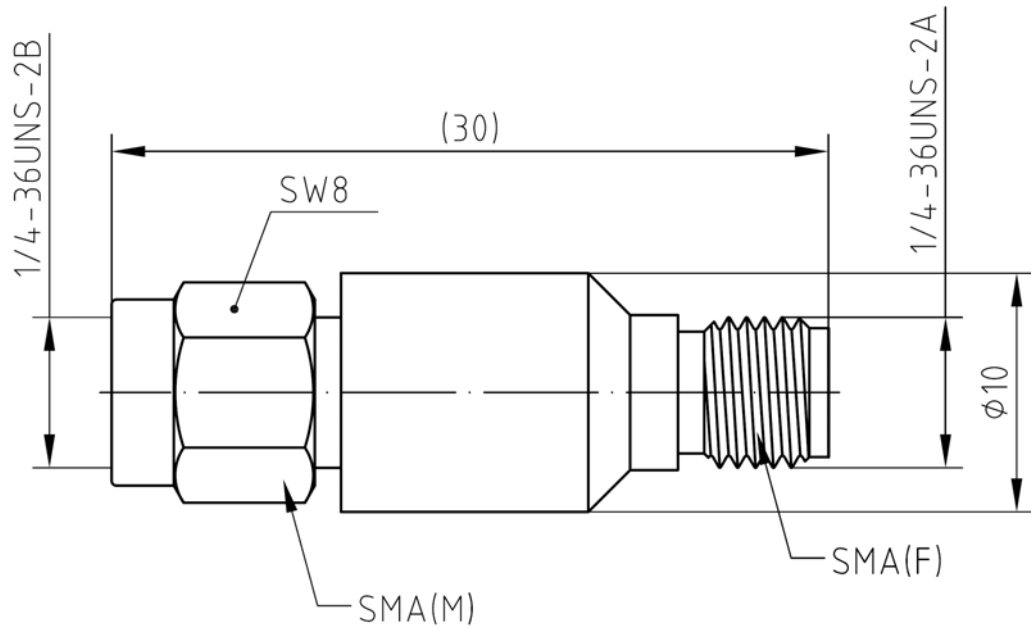
Material

Gold 0.2 over Nickel 2.0
Gold 0.5 over Nickel 2.0



Coaxial Attenuator: SMA 2W 40dB 18G ATR-50SMAMF18-040-2

Outline drawing



Packaging

Standard

Other

100/Box=10 Bag

Contact us