

Coaxial Cable Connector: SMB-KW2.5D

Description

SMB Right angle cable plug for Flexible cable 2.5/50D

Interface standards

MIL-C-39012

Technical Data

Electrical Data

Impedance	50 Ω
Interface frequency max.	4 GHz
VSWR	1.08+0.06 \times f(GHz) max
Voltage rating	250 V(rms)
Test voltage	750 V(rms)
Contact resistance:	
Center conductor	$\leq 6\text{m } \Omega$
Out conductor	$\leq 1.5\text{m } \Omega$
Insulation resistance	$\geq 1000\text{M } \Omega$

Mechanical Data

Weight	3.8 g
Durability	500 Cycles

Environmental Data

Operating Temperature	-65 $^{\circ}\text{C}$ to 165 $^{\circ}\text{C}$
-----------------------	--

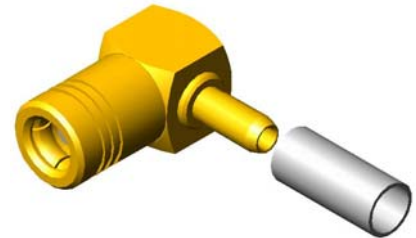
Material Data

Piece Parts

Center contact	Beryllium copper
Body	Brass
Crimp ferrules	Brass
Insulator	PTFE

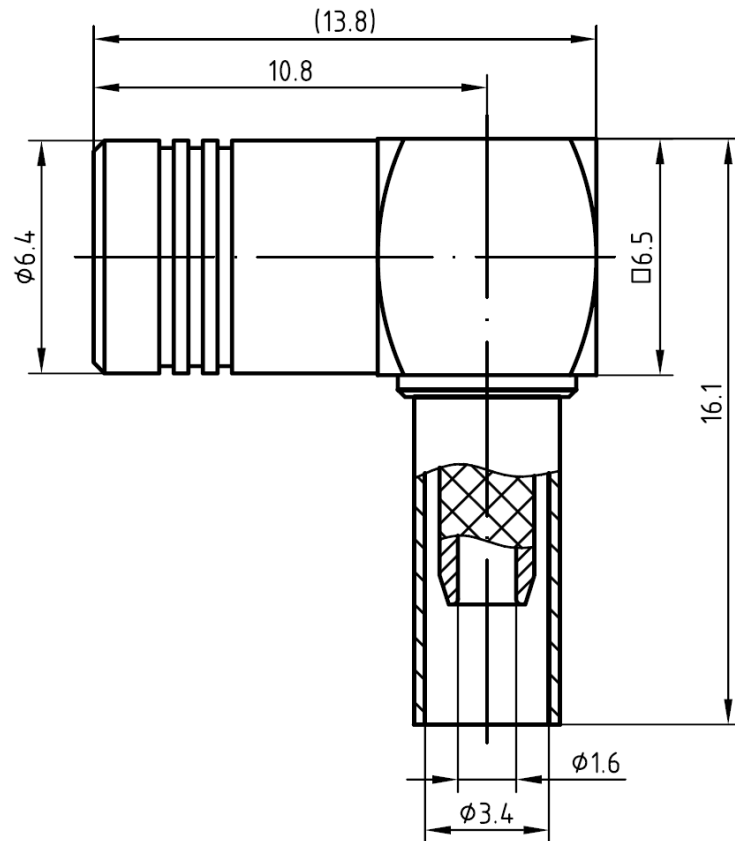
Surface Plating(μm)

Gold 0.5 over Nickel 2.0
Gold 0.2 over Nickel 2.0
Nickel 7.0 over copper 2.0



Coaxial Cable Connector: SMB-KW2.5D

Outline drawing



Packaging

Standard

100/Box=10 Bag

Other

Contact us