

## Coaxial Cable Connector: BNC-J3

### Description

BNC Straight cable plug for flexible cable 2.5/3/50S+D

### Interface standards

MIL-C-39012

### Technical Data

#### Electrical Data

Impedance	50 $\Omega$
Interface frequency max.	4 GHz
VSWR	1.05+0.08 $\times$ f(GHz) max
Voltage rating	500 V(rms)
Test voltage	1000 V(rms)
Contact resistance:	
Center conductor	$\leq$ 1.5m $\Omega$
Out conductor	$\leq$ 1.0m $\Omega$
Insulation resistance	$\geq$ 5000M $\Omega$

#### Mechanical Data

Weight	13.8 g
Durability	500 Cycles

#### Environmental Data

Operating Temperature	-65 $^{\circ}$ C to 165 $^{\circ}$ C
-----------------------	--------------------------------------

#### Material Data

##### Piece Parts

Center contact	Brass
Body	Brass
Other pieces	Brass
Gasket	Silicone Rubber
Insulator	PTFE

##### Material

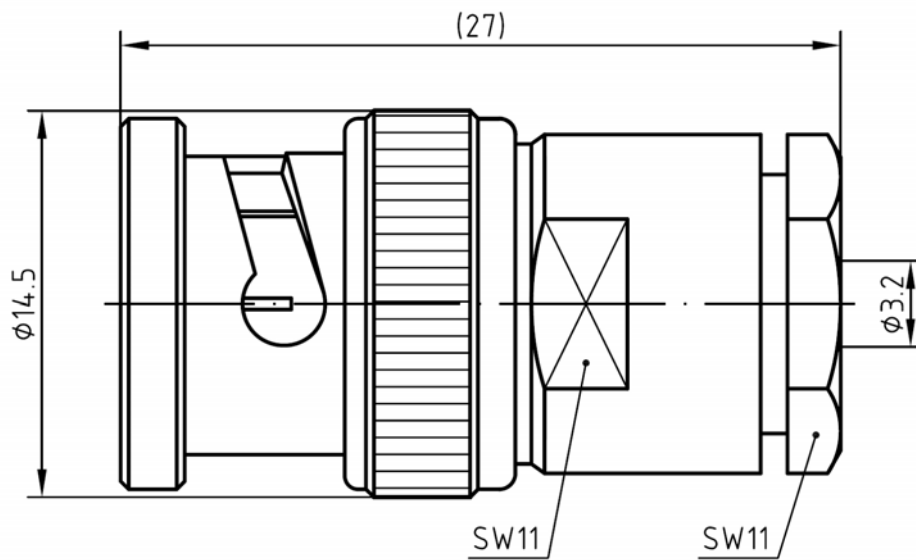
##### Surface Plating( $\mu$ m)

Gold 0.3 over copper 2.0
Nickel 7.0 over copper 2.0
Nickel 7.0 over copper 2.0



## Coaxial Cable Connector: BNC-J3

### Outline drawing



### Packaging

Standard

50/Box= 5 Bag

Other

Contact us