

Coaxial Cable Connector: BNC-JW2.5DY

Description

BNC Right angle cable plug for flexible cable 2.5/50D

Interface standards

MIL-C-39012

Technical Data

Electrical Data

Impedance	50 Ω
Interface frequency max.	4 GHz
VSWR	$1.05+0.08 \times f(\text{GHz})$ max
Voltage rating	500 V(rms)
Test voltage	1000 V(rms)
Contact resistance:	
Center conductor	$\leq 1.5\text{m} \Omega$
Out conductor	$\leq 1.0\text{m} \Omega$
Insulation resistance	$\geq 5000\text{M} \Omega$

Mechanical Data

Weight	17.5 g
Durability	500 Cycles

Environmental Data

Operating Temperature	-65 °C to 165 °C
-----------------------	------------------

Material Data

Piece Parts

Center contact	Brass
Body	Brass
Other pieces	Brass
Gasket	Silicone Rubber
Insulator	PTFE

Material

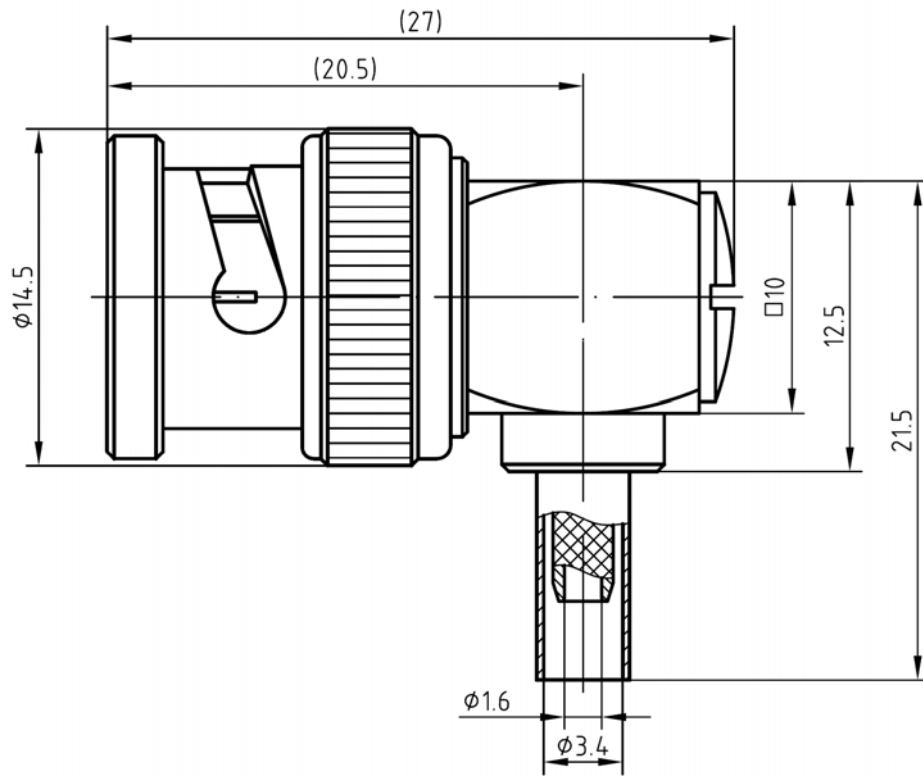
Surface Plating(μm)

Gold 0.3 over copper 2.0
Nickel 7.0 over copper 2.0
Nickel 7.0 over copper 2.0



Coaxial Cable Connector: BNC-JW2.5DY

Outline drawing



Packaging

Standard

50/Box= 5 Bag

Other

Contact us