

# Coaxial Cable Connector: N-KB2

## Description

N Type Straight jack solder type cable .086

## Interface standards

MIL-C-39012

## Technical Data

### Electrical Data

Impedance	50 $\Omega$
Interface frequency max.	11 GHz
VSWR	1.05+0.02 $\times$ f (GHz) max
Voltage rating	1000 V(rms)
Test voltage	1500 V(rms)
Contact resistance:	
Center conductor	$\leq 1.0\text{m } \Omega$
Out conductor	$\leq 0.2\text{m } \Omega$
Insulation resistance	$\geq 5000\text{M } \Omega$

### Mechanical Data

Weight	30 g
Durability	500 Cycles

### Environmental Data

Operating Temperature	-65 $^{\circ}\text{C}$ to 165 $^{\circ}\text{C}$
-----------------------	--

### Material Data

#### Piece Parts

Center contact	Beryllium copper
Body	Brass
Gasket	Silicone Rubber
Insulator	PTFE
Other pieces	Brass

#### Material

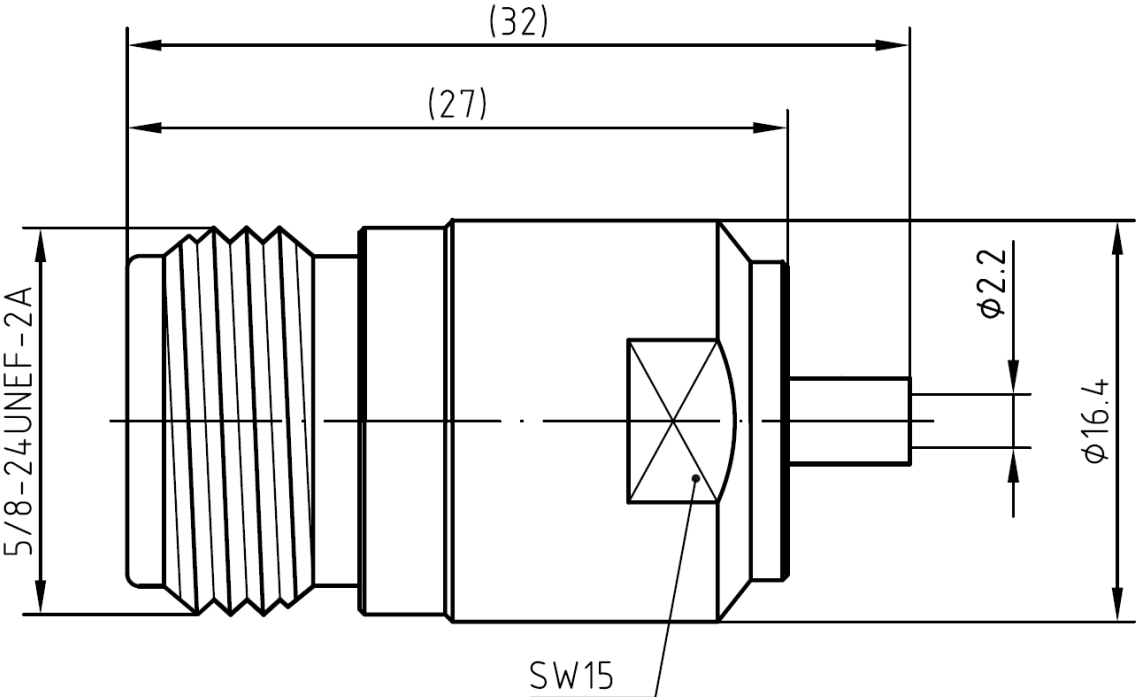
#### Surface Plating( $\mu\text{m}$ )

Center contact	Gold 0.3 over Nickel 2.0
Body	Nickel 7.0 over copper 2.0
Other pieces	Nickel 7.0 over copper 2.0 or White copper 4.0 over copper 1.0



# Coaxial Cable Connector: N-KB2

## Outline drawing



## Packaging

Standard  
Other

50/Box=5 Bag  
Contact us