

Coaxial Cable Connector: APC3.5-KB3

Description

APC3.5 Straight jack solder type - cable .141

Interface standards

MIL-STD-348A/323

Technical Data

Electrical Data

Impedance	50 Ω
Interface frequency max.	33 GHz
VSWR	$1.05 + 0.007 \times f$ (GHz) max
Voltage rating	350 V(rms)
Test voltage	750 V(rms)
Contact resistance:	
Center conductor	≤ 3.0 m Ω
Out conductor	≤ 2.0 m Ω
Insulation resistance	≥ 5000 M Ω

Mechanical Data

Weight	4.8 g
Durability	500 Cycles

Environmental Data

Operating Temperature	-55 $^{\circ}$ C to 95 $^{\circ}$ C
-----------------------	-------------------------------------

Material Data

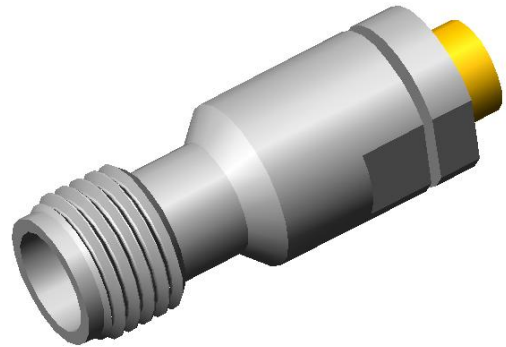
Piece Parts

Center contact	Beryllium copper
Outer contact	Stainless Steel
Insulator	PEI (Ultem)
Body	Stainless steel
Nut	Stainless steel

Material

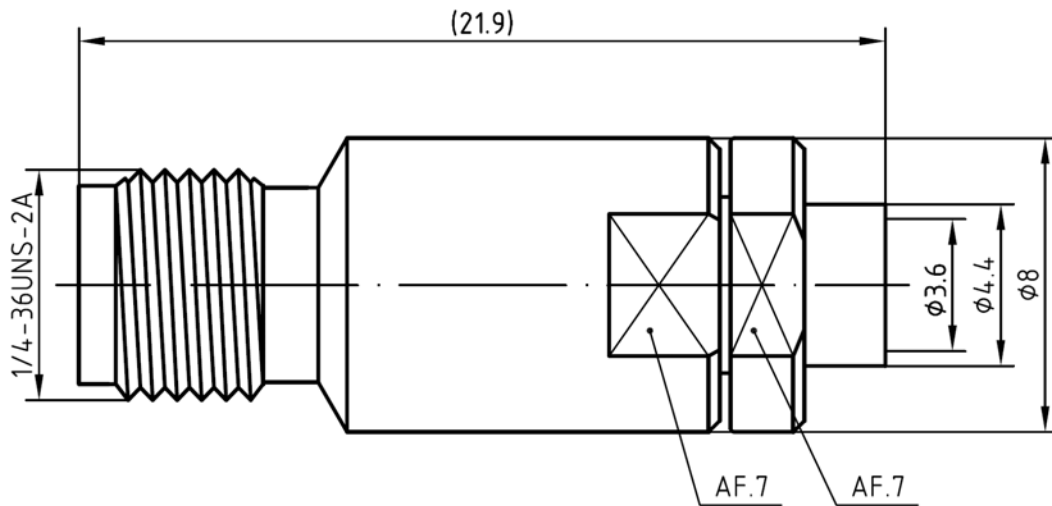
Surface Plating(μ m)

Center contact	Gold 1.27 over nickle 2.0
Outer contact	Passivated
Body	Passivated
Nut	Passivated



Coaxial Cable Connector: APC3.5-KB3

Outline drawing



Packaging

Standard

100/Box=10 Bag

Other

Contact us