

DATA SHEET

Coaxial 3.5mm Series Adapter: 3.5-KK

Description

Adaptor 3.5mm jack (female) / 3.5mm jack (female)

Interface standards

MIL-STD-348

Technical Data

Electrical Data

Impedance	50 Ω
Interface frequency max.	26.5GHz
VSWR	1.15max
Insert loss	$\leq 0.04X \sqrt{f(\text{GHz})}$
RF Leakage	$\leq -100\text{dB}$
Voltage rating	350 V(rms)
Test voltage	750 V(rms)
Contact resistance:	
Center conductor	$\leq 3 \text{ m}\Omega$
Out conductor	$\leq 2 \text{ m}\Omega$
Insulation resistance	$\geq 5000\text{M}\Omega$

Mechanical Data

Weight	5.7 g
Durability	2000min Cycles

Environmental Data

Operating Temperature	-55 °C to +135 °C
-----------------------	-------------------

Material Data

Piece Parts

Center contact	Beryllium copper
Outer contact	Stainless Steel
Insulator	PEI (Ultem)
Body	Stainless steel

Material

Beryllium copper
Stainless Steel
PEI (Ultem)
Stainless steel

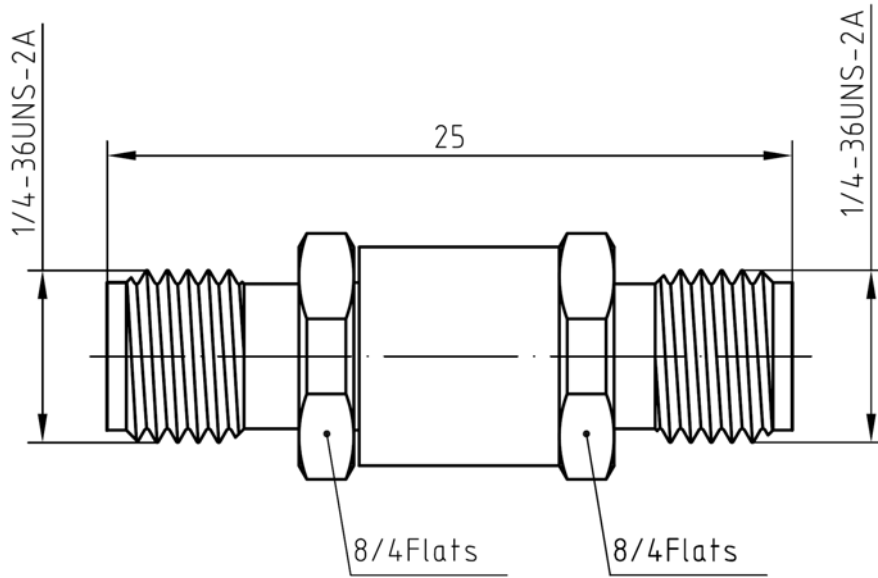


Surface Plating(μm)

Gold 1.27 over nickle 2.0
Passivated
Passivated

DATA SHEET Coaxial 3.5mm

Series Adapter: 3.5-KK Outline drawing



Packaging

Standard
Other

100/Box=10Bag
Contact us