

## Coaxial Between Series Adapter: 2.4/2.92-JK

### Description

Adaptor 2.4mm plug (male) /2.92mm jack (female)

### Interface standards

MIL-STD-348

### Technical Data

#### Electrical Data

Impedance	50 $\Omega$
Interface frequency max.	40 GHz
VSWR	1.15max
Insert loss	$\leq 0.04X \sqrt{f(\text{GHz})}$
RF Leakage	$\leq -100\text{dB}$
Voltage rating	350 V(rms)
Test voltage	750 V(rms)
Contact resistance:	
Center conductor	$\leq 3 \text{ m}\Omega$
Out conductor	$\leq 2 \text{ m}\Omega$
Insulation resistance	$\geq 5000\text{M}\Omega$

#### Mechanical Data

Weight	6.8 g
Durability	2000min Cycles

#### Environmental Data

Operating Temperature	-55 °C to +135 °C
-----------------------	-------------------

#### Material Data

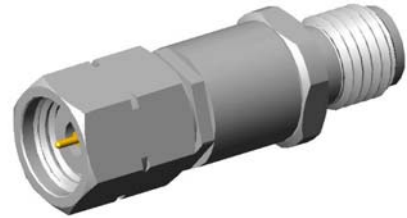
##### Piece Parts

Center contact	Beryllium copper
Outer contact	Stainless Steel
Insulator	PEI (Ultem)
Body	Stainless steel
Nut	Stainless steel

##### Material

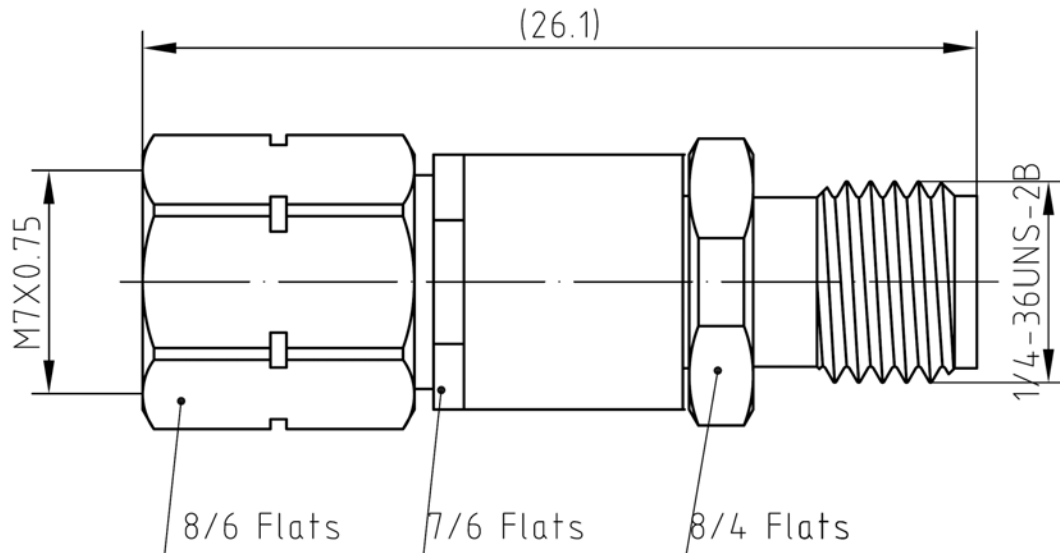
##### Surface Plating( $\mu\text{m}$ )

Gold 1.27 over nickle 2.0
Passivated
Passivated
Passivated



## Adapter: 2.4/2.92-JK

### Outline drawing



### Packaging

Standard

Other

100/Box=10Bag

Contact us