

Coaxial Straight PCB Connector: SMB-JHD

Description

SMB Straight jack receptacle for PCB solder legs

Interface standards

MIL-C-39012

Technical Data

Electrical Data

Impedance	50 Ω
Interface frequency max.	4 GHz
VSWR	1.05+0.06 \times f(GHz) max
Voltage rating	250 V(rms)
Test voltage	750 V(rms)
Contact resistance:	
Center conductor	\leq 6 m Ω
Out conductor	\leq 1 m Ω
Insulation resistance	\geq 1000M Ω

Mechanical Data

Weight	1.2 g
Durability	500 Cycles

Environmental Data

Operating Temperature	-65 $^{\circ}$ C to 165 $^{\circ}$ C
-----------------------	--------------------------------------

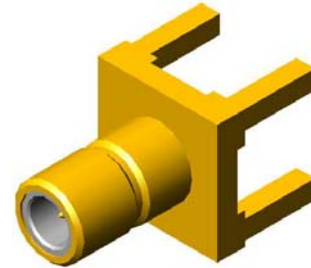
Material Data

Piece Parts

Piece Parts	Material
Center contact	Brass
Body	Brass
Insulator	PTFE

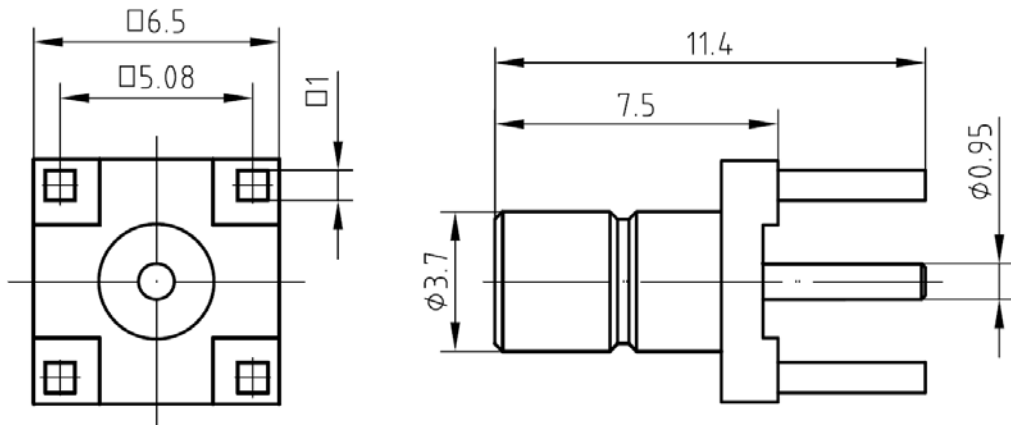
Surface Plating(μ m)

Center contact	Gold 0.5 over Nickel 2.0
Body	Gold 0.2 over Nickel 2.0

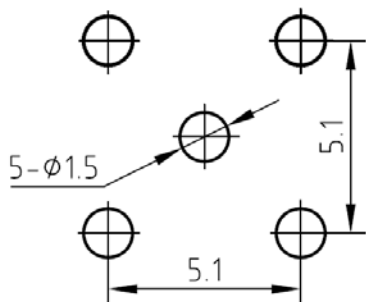


Coaxial Straight PCB Connector: SMB-JHD

Outline drawing



Mounting hole



Packaging

Standard

200/Box=20 Bag

Other

Contact us