

Coaxial Between Series Adapter: 7/16/N-JK

Description

Adaptor 7/16 plug (male) / N jack (female)

Interface standards

MIL-C-39012

Technical Data

Electrical Data

Impedance	50 Ω
Interface frequency max.	7.5 GHz
VSWR	1.05+0.02 \times f (GHz) max
Voltage rating	1000 V(rms)
Test voltage	2500 V(rms)
Contact resistance:	
Center conductor	≤ 2 m Ω
Out conductor	≤ 0.5 m Ω
Insulation resistance	≥ 5000 M Ω

Mechanical Data

Weight	95.5 g
Durability	500 Cycles

Environmental Data

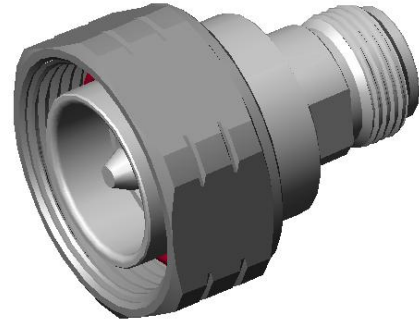
Operating Temperature	-65 $^{\circ}$ C to 165 $^{\circ}$ C
-----------------------	--------------------------------------

Material Data

Piece Parts

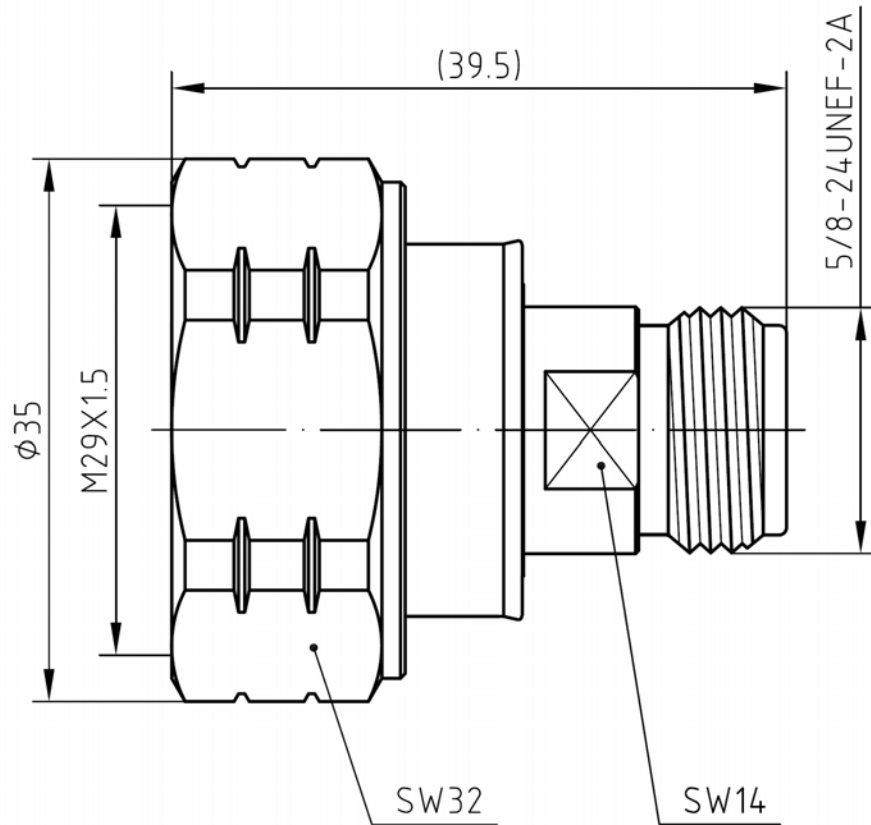
Center contact	Phosphor bronze
Outer contact	Brass
Nut	Brass
Insulator	PTFE
Gasket	Silicone Rubber

Surface Plating(μ m)
Silver 6.0 over copper 2.0
White copper 4.0 over silver 2.0
White copper 4.0 over copper 1.0



Coaxial Between Series Adapter: 7/16/N-JK

Outline drawing



Packaging

Standard

20/Box=20 Bag

Other

Contact us