

# Coaxial Straight PCB Connector: SMA-KHC19A

## Description

Edge mount straight PCB jack

## Interface standards

MIL-C-39012

## Technical Data

### Electrical Data

Impedance	50 $\Omega$
Interface frequency max.	18 GHz
VSWR	$1.05+0.02 \times f(\text{GHz})$ max
Voltage rating	500 V(rms)
Test voltage	1000 V(rms)
Contact resistance:	
Center conductor	$\leq 3\text{m} \Omega$
Out conductor	$\leq 2\text{m} \Omega$
Insulation resistance	$\geq 5000\text{M} \Omega$

### Mechanical Data

Center contact retention	
Axial force – Mating end	27 N min
Axial force – Opposite end	27 N min
Torque	2.8 N.cm min
Weight	2.0g
Durability	500 Cycles

### Environmental Data

Operating Temperature	-65 °C to 165 °C
-----------------------	------------------

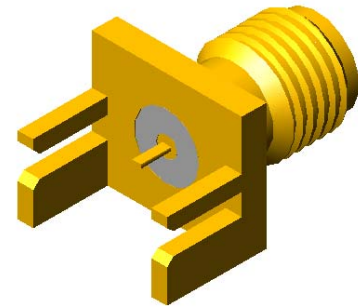
### Material Data

#### Piece Parts

Body	Brass
Center contact	Beryllium copper
Insulator	PTFE

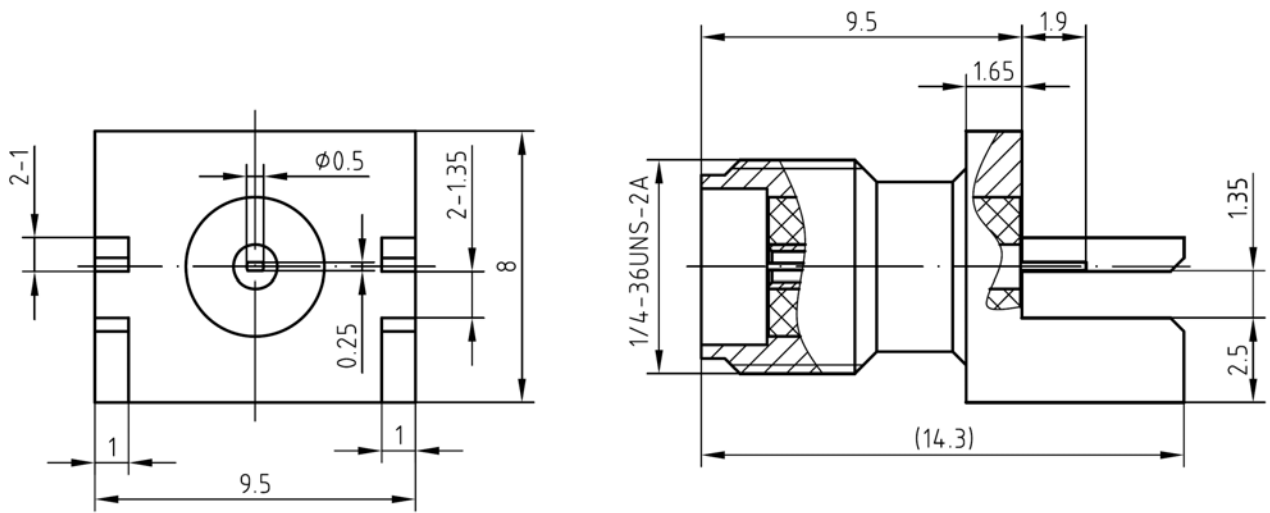
#### Surface Plating( $\mu\text{m}$ )

Gold 0.25 over Nickel 2.0
Gold 1.27 over Nickel 2.0



# Coaxial Straight PCB Connector: SMA-KHC19A

## Outline drawing



## Packaging

Standard

150/Box=15Bag

Other

Contact us