

Coaxial Cable Connector: BMA-KF3Y

Description

Straight panel cable jack, flange mount, for Flexible cable 2.5/3/50S

Interface standards

MIL-C-39012

Technical Data

Electrical Data

Impedance	50 Ω
Interface frequency max.	12.4 GHz
VSWR	1.05+0.03 \times f(GHz) max
Voltage rating	500 V(rms)
Test voltage	1000 V(rms)
Contact resistance:	
Center conductor	$\leq 3\text{m } \Omega$
Out conductor	$\leq 2\text{m } \Omega$
Insulation resistance	$\geq 5000\text{M } \Omega$

Mechanical Data

Center contact retention	
Axial force – Mating end	27 N min
Axial force – Opposite end	27 N min
Torque	2.8 N.cm min
Weight	6.5 g
Durability	500 Cycles

Environmental Data

Operating Temperature	-65 °C to 165 °C
-----------------------	------------------

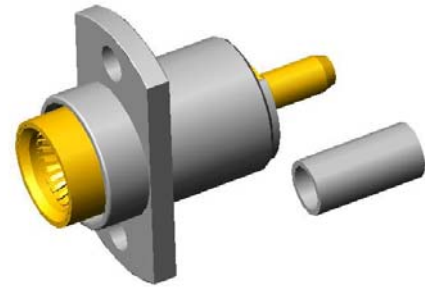
Material Data

Piece Parts

Body	Brass
Center contact	Beryllium copper
Outer contact	Beryllium copper
Other body part	Brass
Insulator	PTFE

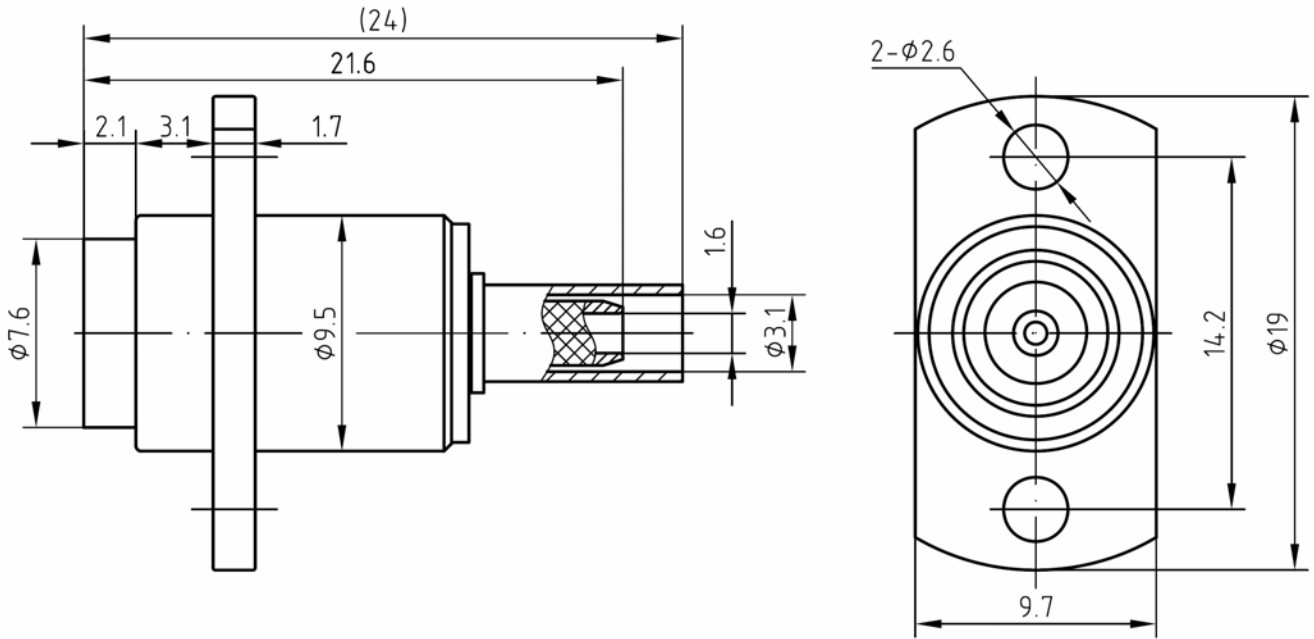
Surface Plating(μm)

Gold 0.2 over Nickel 2.0
Gold 0.5 over Nickel 2.0
Gold 0.5 over Nickel 2.0
Nickel 7.0 over copper 2.0



Coaxial Cable Connector: BMA-KF3Y

Outline drawing



Packaging

Standard

100/Box=10 Bag

Other

Contact us