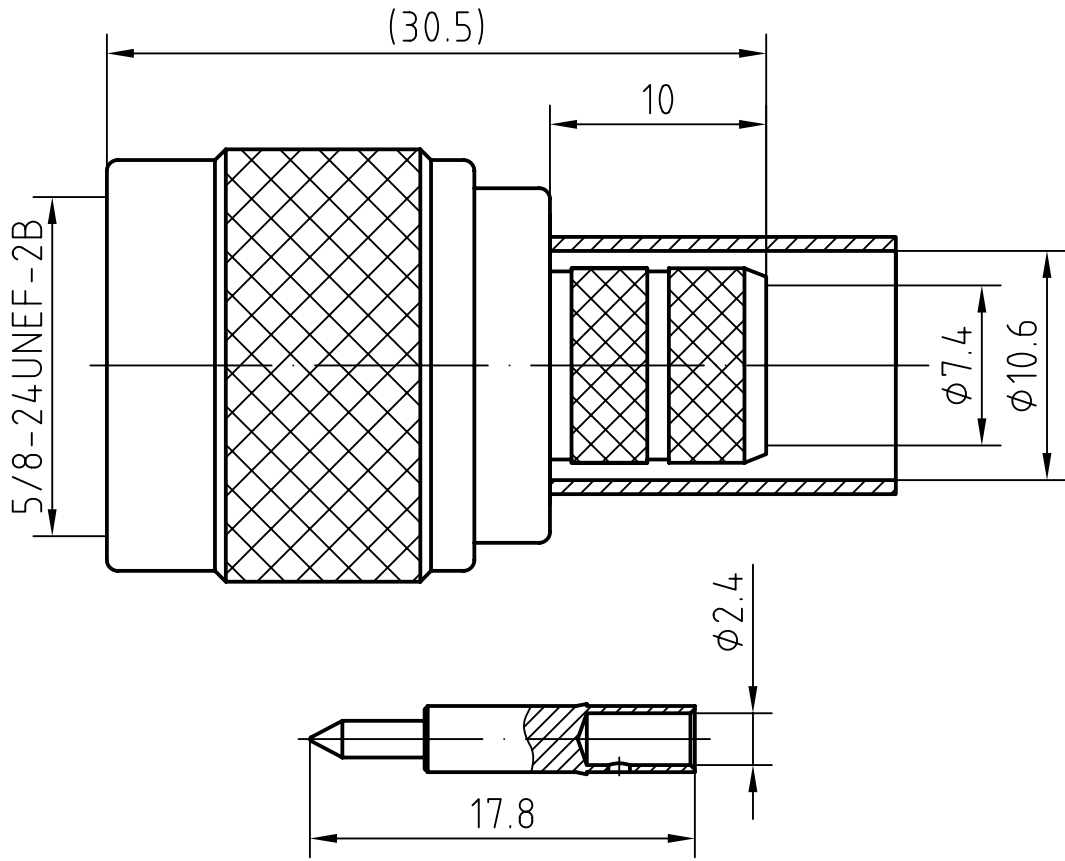
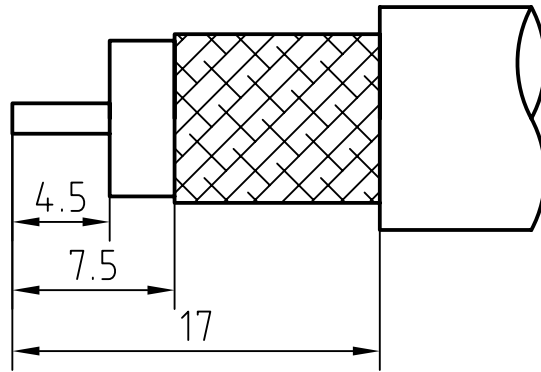


DRAWING



CABLE(RG8/U,RG213/U,SYV-50-7-1)



4	1	Heat shrink tube	φ14X30mm	
3	1	Insulator	PTFE	
2	1	Center contact	Brass/Gold plated	Gold 0.3 over Nickel 2.0
1	1	Body	Brass/Nickel plated	Nickel 7.0 over copper 2.0
Itemref	Quantity	Title/Name, designation, material, dimension etc		Article No./Reference

Designed by Mingang Han	Checked by Jinlong GU	Approved by - date Hongyu Du 06.07.17	File name N-J7Y	Date 06.07.17	Scale 4 : 1
----------------------------	--------------------------	--	--------------------	------------------	----------------

Amitron Electronics, Ltd.

N-J7Y

<http://www.amel.ru>

Edition
2.0

Sheet
1/1

CHARACTERISTICS

DESCRIPTION: N Type male STR connector

Electrical data:

<i>Impedance:</i>	<i>50 ohm</i>
<i>Frequency range:</i>	<i>DC to 8 GHz</i>
<i>VSWR:</i>	<i>$1.05 + 0.06 \times f$ (GHz) max</i>
<i>Insertion loss:</i>	<i>≤ 0.25dB, DC-6GHz</i>
<i>Insulation resistance:</i>	<i>≥ 5000MΩ</i>
<i>Test voltage:</i>	<i>2500 V rms</i>
<i>Working voltage:</i>	<i>1400 V rms</i>
<i>Contact resistance:</i>	
1). <i>Centre contact:</i>	<i>1.0 mΩ</i>
2). <i>Outer conductor:</i>	<i>0.25 mΩ</i>
<i>Power handling (at 20 ° C, sea level, VSWR 1.0)</i>	<i>1000 W @ 1 GHz, 700 W @ 2 GHz</i>
<i>RF-leakage</i>	<i>≥ 128 dB up to 1 GHz</i>

Environmental data:

<i>Temperature rating:</i>	<i>-65° C to +165° C</i>
<i>2002/95/EC (RoHS):</i>	<i>Compliant</i>

Mechanical data:

<i>Mating cycles:</i>	<i>≥ 500</i>
<i>Center contact captivation:</i>	<i>≥ 28 N(axial)</i>
<i>Coupling nut retention :</i>	<i>≥ 450 N</i>
<i>Coupling test torque:</i>	<i>≤ 1.7 Nm</i>
<i>Recommended torque:</i>	<i>0.70 Nm to 1.10 Nm</i>

Suitable cables:

RG8/U, RG213/U, SYV-50-7-1