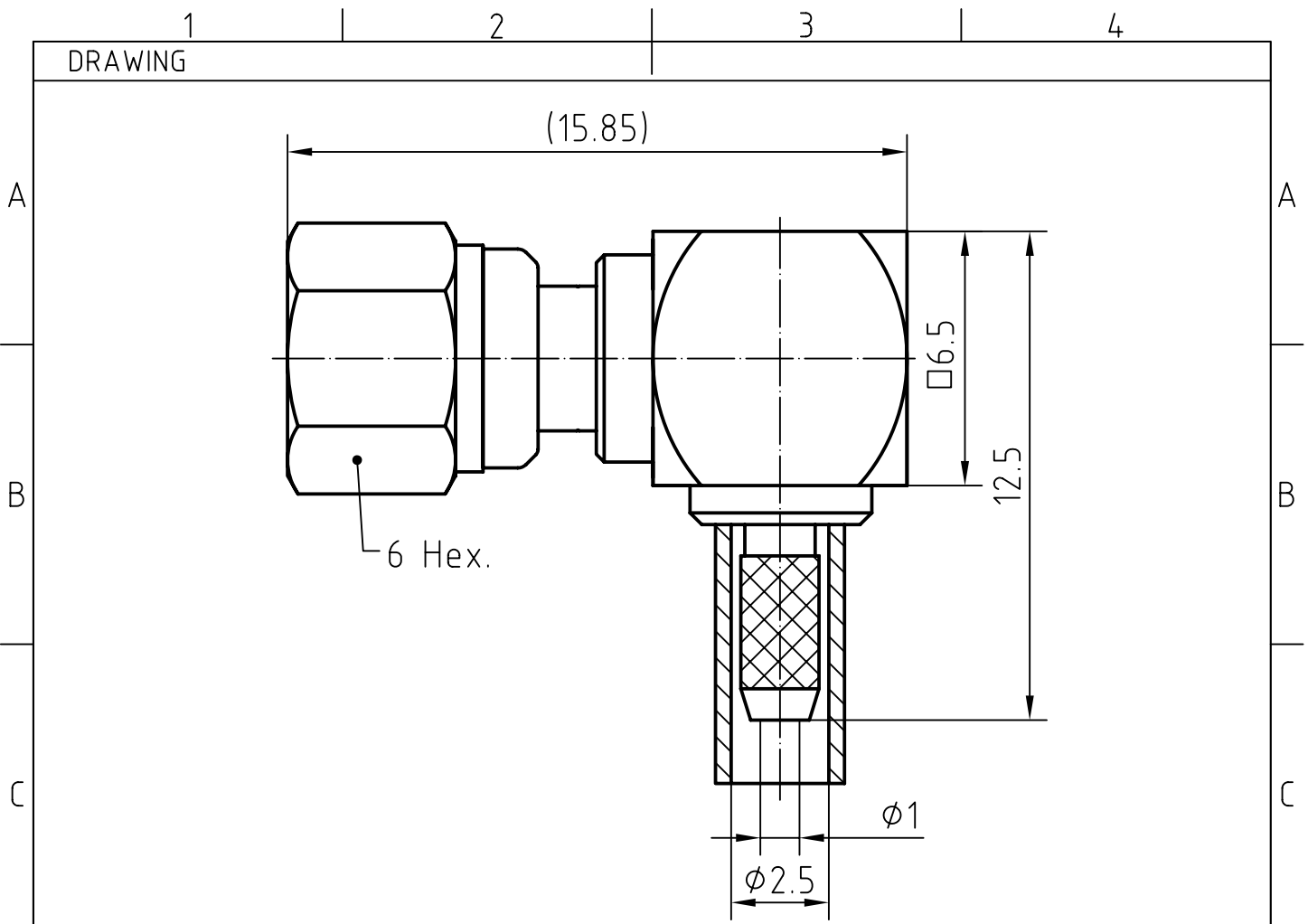
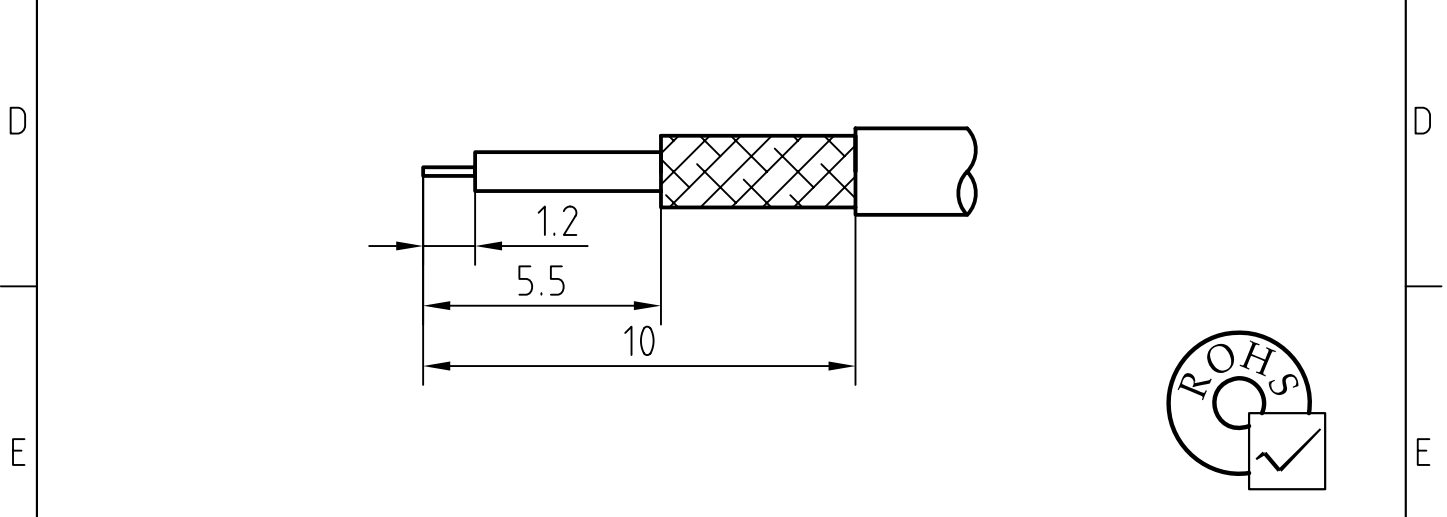


DRAWING



CABLE(RG178/U)



4	1	Coupling nut	Brass/Gold plated	Gold 0.2um over Nickel 2um
3	1	Body	Brass/Gold plated	Gold 0.2um over Nickel 2um
2	1	Insulator	PTFE	
1	1	Center contact	Beryllium coper/Gold plated	Gold 0.5um over Nickel 2um
Itemref	Quantity	Title/Name, designation, material, dimension etc		Article No./Reference

Designed by Mingang Han	Checked by Jinlong Gu	Approved by - date Hongyu Du	File name SMC-KW2	Date 08.03.10	Scale 6 : 1
----------------------------	--------------------------	---------------------------------	----------------------	------------------	----------------

Amitron Electronics, Ltd.	SMC-KW2		
	http://www.amel.ru	Edition 1.0	Sheet 1/1

CHARACTERISTICS

DESCRIPTION: SMC Type female R/A connector

Electrical data:

<i>Impedance:</i>	<i>50 ohm</i>
<i>Frequency range:</i>	<i>DC to 10 GHz</i>
<i>VSWR:</i>	$\leq 1.20 + 0.05Xf[\text{GHz}]$
<i>Insertion loss:</i>	$\leq 0.22X \sqrt{f[\text{GHz}]} \text{ dB}$
<i>Insulation resistance:</i>	$\geq 1000\text{M}\Omega$
<i>Test voltage:</i>	<i>750 V rms</i>
<i>Working voltage:</i>	<i>250 V rms</i>
<i>Contact resistance:</i>	
1). <i>Centre contact:</i>	<i>5.0 mΩ</i>
2). <i>Outer conductor:</i>	<i>2.5 mΩ</i>
<i>RF-leakage:</i>	$\geq 90 \text{ dB up to } 1 \text{ GHz}$

Environmental data:

<i>Temperature rating:</i>	<i>-65 ° C to +165 ° C</i>
<i>2002/95/EC (RoHS):</i>	<i>Compliant</i>

Mechanical data:

<i>Mating cycles:</i>	≥ 500
<i>Center contact captivation:</i>	$\geq 150 \text{ N}$
<i>Coupling test torque:</i>	$\leq 0.71 \text{ Nm}$
<i>Recommended torque:</i>	<i>0.25 Nm to 0.35 Nm</i>

Suitable cables:

RG178/U