

## Coaxial Cable Connector: SSMB-K2C

### Description

SSMB Straight cable plug for Flexible cable 2/50S

### Interface standards

MIL-C-39012

### Technical Data

#### Electrical Data

Impedance	50 $\Omega$
Interface frequency max.	3 GHz
VSWR	1.06+0.08 $\times$ f(GHz) max
Voltage rating	170 V(rms)
Test voltage	500 V(rms)
Contact resistance:	
Center conductor	$\leq$ 5m $\Omega$
Out conductor	$\leq$ 2.5m $\Omega$
Insulation resistance	$\geq$ 1000M $\Omega$

#### Mechanical Data

Weight	3.2 g
Durability	500 Cycles

#### Environmental Data

Operating Temperature	-65 $^{\circ}$ C to 165 $^{\circ}$ C
-----------------------	--------------------------------------

#### Material Data

##### Piece Parts

Center contact	Beryllium copper
Body	Brass
Crimp ferrules	Brass
Insulator	PTFE

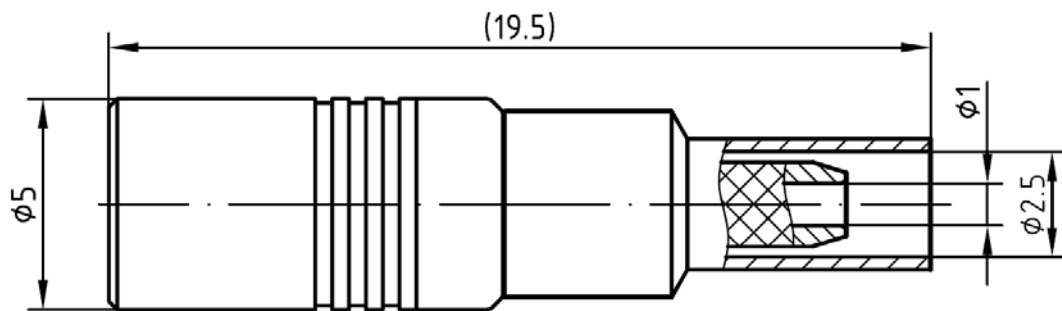
##### Surface Plating( $\mu$ m)

Gold 0.5 over Nickel 2.0
Gold 0.2 over Nickel 2.0
Nickel 7.0 over copper 2.0



## Coaxial Cable Connector: SSMB-K2C

### Outline drawing



### Packaging

Standard

150/Box=15 Bag

Other

Contact us