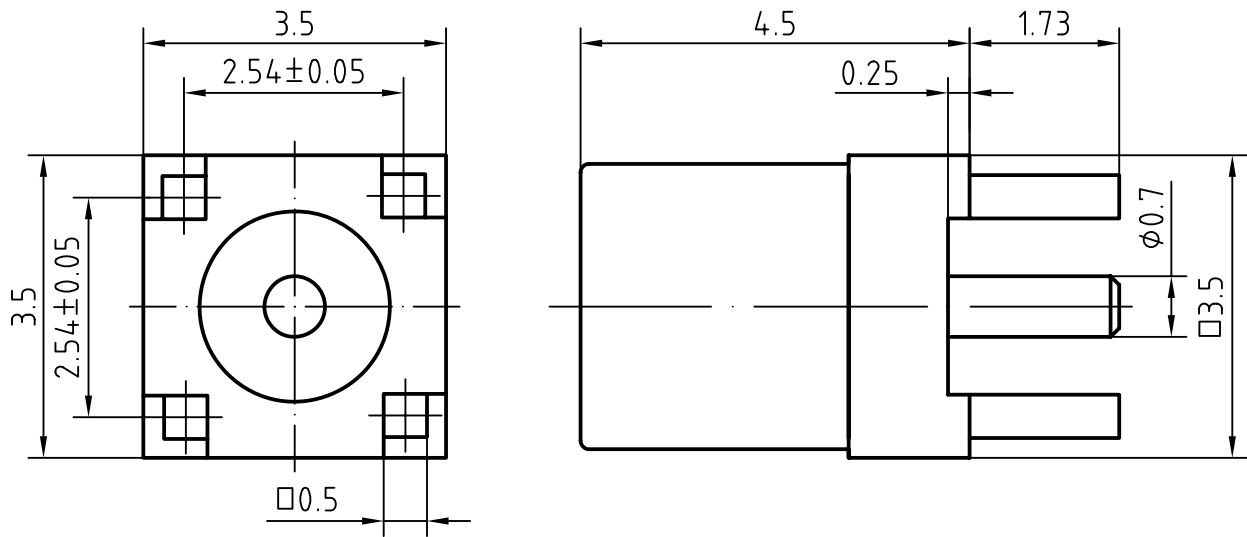
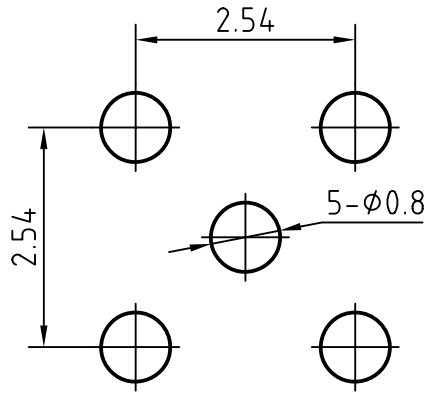


DRAWING



MOUNTING HOLE



3	1	Body	Brass/Gold plated	Gold 0.2um over Nickel 0.2um
2	1	Insulator	PTFE	
1	1	Center contact	Beryllium copper/Gold plated	Gold 0.5um over Nickel 0.2um

Designed by Mingang Han	Checked by Jinlong Gu	Approved by - date Hongyu Du	File name MMCX-KHD1A	Date 14.10.24	Scale 10 : 1
----------------------------	--------------------------	---------------------------------	-------------------------	------------------	-----------------

Amitron Electronics, Ltd.	MMCX-KHD1A			
	<a href="http://www.amel.ru">http://www.amel.ru</a>	Edition 1.0	Sheet 1/1	

## CHARACTERISTICS

DESCRIPTION: MMCX Type female str for PCB solder legs

### Electrical data:

<i>Impedance:</i>	50 ohm
<i>Frequency range:</i>	DC to 6 GHz
<i>VSWR:</i>	$\leq 1.1 + 0.04 \times f[\text{GHz}]$
<i>Insertion loss:</i>	$\leq 0.15 \times \sqrt{f[\text{GHz}]} \text{dB}$
<i>Insulation resistance:</i>	$\geq 1000 \text{M}\Omega$
<i>Test voltage:</i>	500 V rms
<i>Working voltage:</i>	170 V rms
<i>Contact resistance:</i>	
1). Centre contact:	10.0 m $\Omega$
2). Outer conductor:	5.0 m $\Omega$
<i>RF leakage(measured at 1GHz):</i>	$\geq 70 \text{dB}$

### Environmental data:

<i>Temperature rating:</i>	-65 ° C to +165 ° C
<i>2002/95/EC (RoHS):</i>	Compliant

### Mechanical data:

<i>Mating cycles:</i>	$\geq 500$
<i>Center contact captivation:</i>	$\geq 10 \text{N}(\text{axial})$
<i>Engagement force:</i>	$\leq 15 \text{N}$
<i>Disengagement force:</i>	6N~15N

### Suitable cables:

N/A