

Coaxial Cable Connector: SMP-JFB2-F

Description

SMP Straight square flange jack solder type cable .086

Interface standards

MIL-C-39012

Technical Data

Electrical Data

Impedance	50 Ω
Interface frequency max.	26.5 GHz
VSWR	1.05+0.015 \times f(GHz) max
Voltage rating	335 V(rms)
Test voltage	500 V(rms)
Contact resistance:	
Center conductor	\leq 6m Ω
Out conductor	\leq 2m Ω
Insulation resistance	\geq 5000M Ω

Mechanical Data

Weight	1.2 g
Durability	500 Cycles

Environmental Data

Operating Temperature	-65 $^{\circ}$ C to 165 $^{\circ}$ C
-----------------------	--------------------------------------

Material Data

Piece Parts

Piece Parts	Material
Center contact	Brass
Body	Brass
Insulator	PTFE

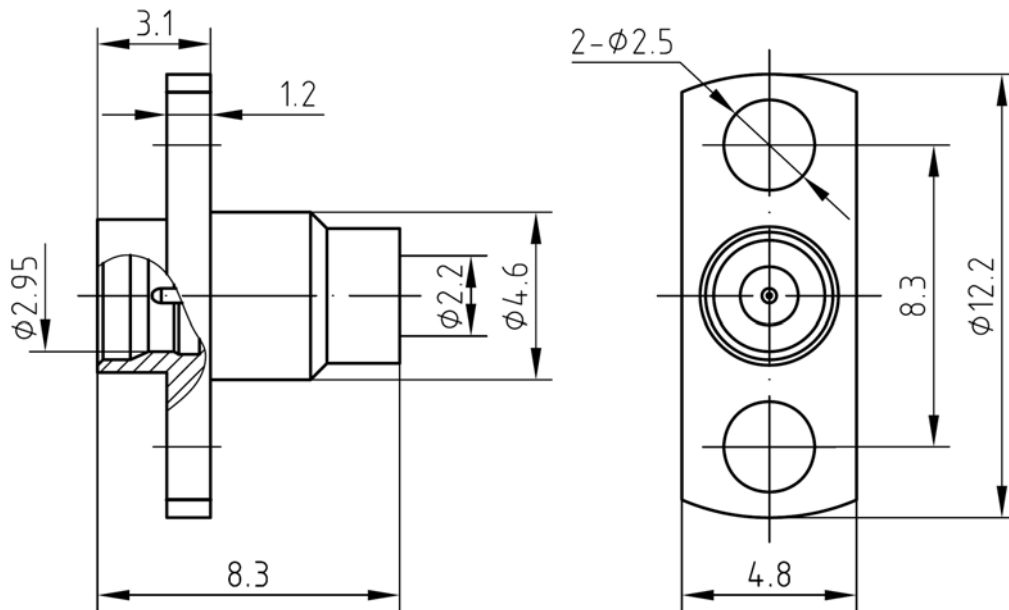
Surface Plating(μ m)

Center contact	Gold 0.5 over Nickel 2.0
Body	Gold 0.2 over Nickel 2.0



Coaxial Cable Connector: SMP-JFB2-F

Outline drawing



Packaging

Standard

200/Box=20 Bag

Other

Contact us