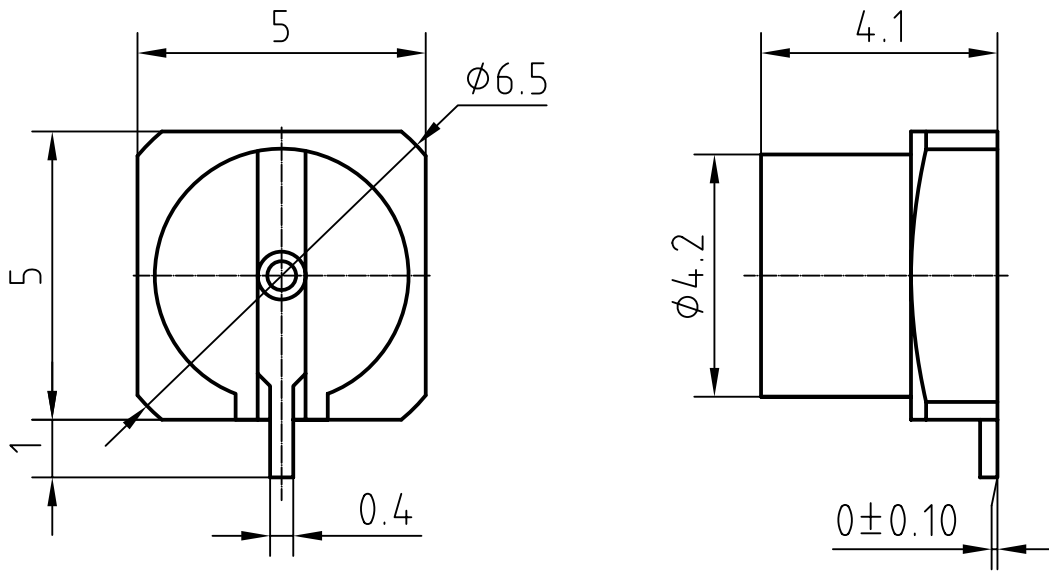
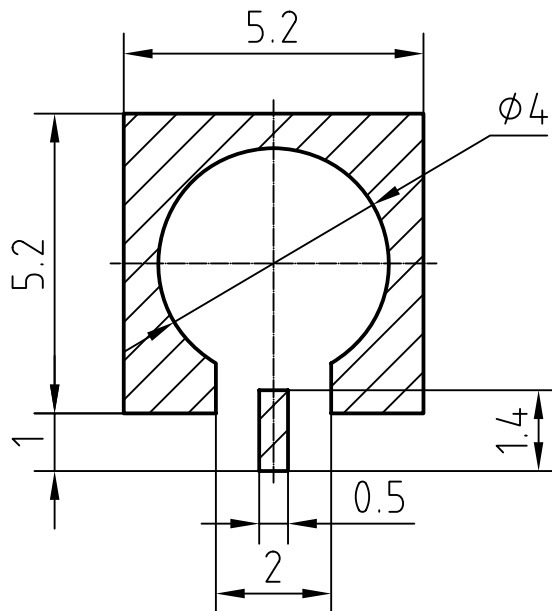


DRAWING



MOUNTING HOLE



3	1	Body	Brass/Gold plated
2	1	Insulator	PPS
1	1	Center contact	Brass/Gold plated

Designed by Mingang Han	Checked by Jinlong Gu	Approved by - date Hongyu Du	File name SMP(L)-JHT2	Date 13.03.25	Scale 10 : 1
----------------------------	--------------------------	---------------------------------	--------------------------	------------------	-----------------

Amitron Electronics, Ltd.	SMP(L)-JHT2	
	http://www.amel.ru	Edition 1.0 Sheet 1/1

CHARACTERISTICS

DESCRIPTION: SMP Type male connector for PCB (limited detent)

Electrical data:

Impedance:	50 ohm
Frequency range:	DC to 26.5 GHz
VSWR:	$\leq 1.05 + 0.015Xf[\text{GHz}]$
Insertion loss:	$\leq 0.1X\sqrt{f[\text{GHz}]} \text{ dB}$
Insulation resistance:	$\geq 5000M\Omega$
Test voltage:	500 V rms
Working voltage:	335 V rms
Contact resistance:	
1). Centre contact:	6.0 m Ω
2). Outer conductor:	2.0 m Ω

Environmental data:

Temperature rating:	-65 ° C to +165 ° C
2002/95/EC (RoHS):	Compliant

Mechanical data:

Mating cycles:	
- if mating part is smooth bore:	≥ 1000
- if mating part is limited detent:	≥ 500
- if mating part is full detent:	≥ 100
Center contact captivation:	$\geq 7 \text{ N(axial)}$
Engagement force:	
- smooth bore:	$\leq 9 \text{ N.}$
- limited detent:	$\leq 45 \text{ N.}$
- full detent:	$\leq 68 \text{ N.}$
Disengagement force:	
- smooth bore:	$\geq 2.2 \text{ N.}$
- limited detent:	$\geq 9 \text{ N.}$
- full detent:	$\geq 22 \text{ N.}$

Suitable cables:

N/A