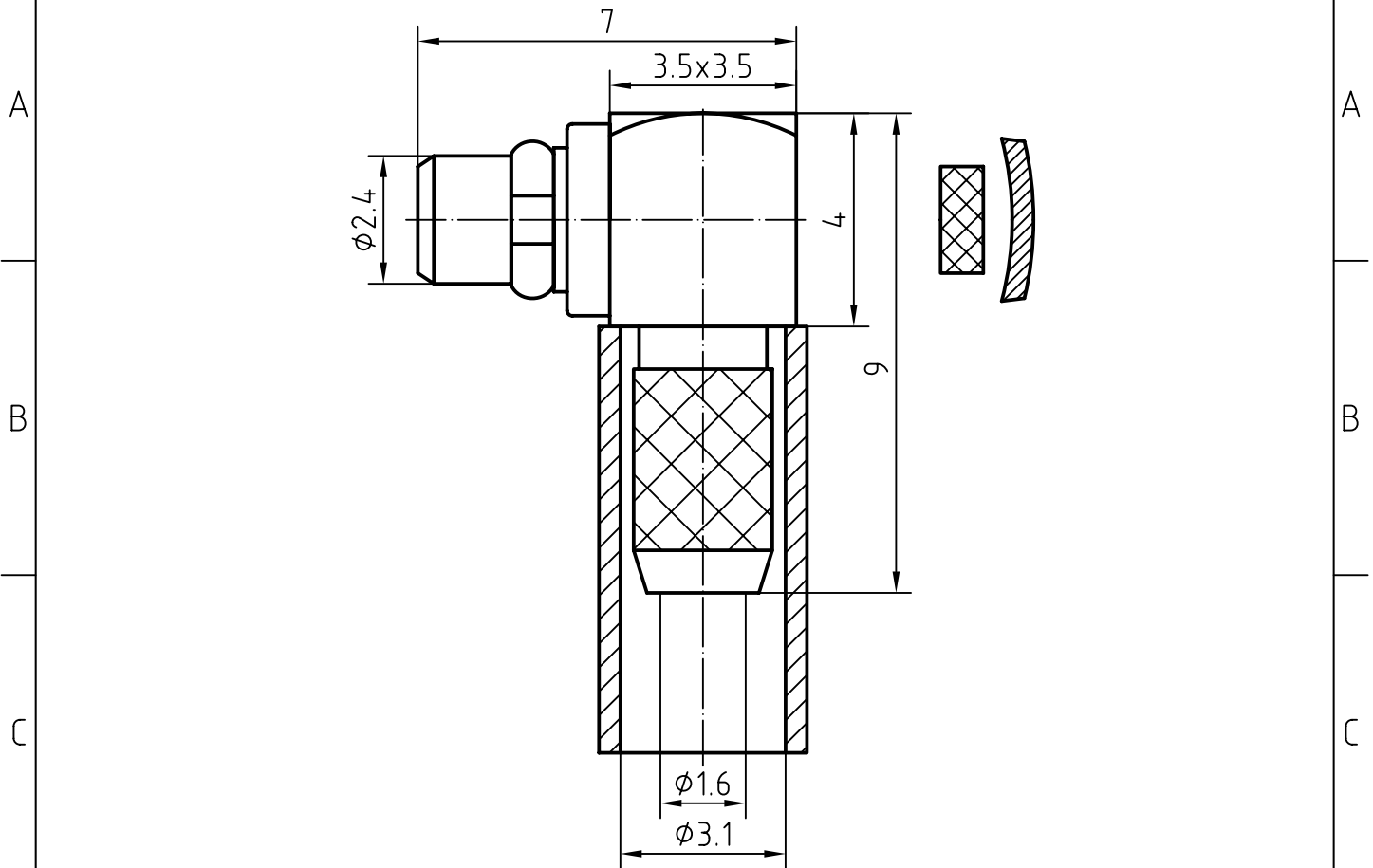
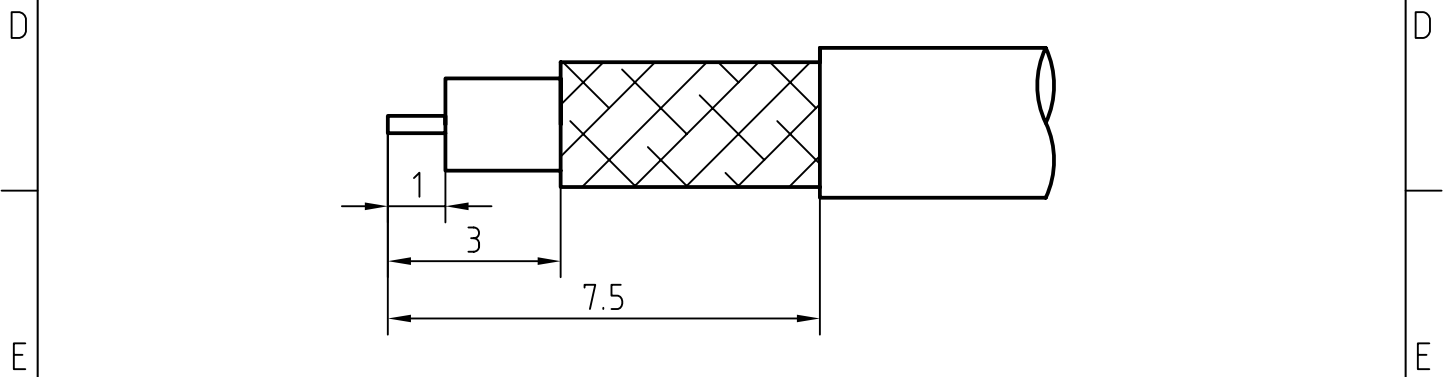


DRAWING



CABLE(RG174A/U, RG188A/U, RG316/U)



4	1	Body	Brass/Gold plated	Gold 0.2um over Nickel 2um
3	1	Spring ring	Beryllium copper/Gold plated	Gold 0.2um over Nickel 2um
2	1	Insulator	PFTE	
1	1	Center contact	Brass/Gold plated	Gold 0.5um over Nickel 2um

Designed by Mingang Han	Checked by Jinlong Gu	Approved by - date Hongyu Du	File name MMCX-JW3	Date 07.07.10	Scale 8 : 1
----------------------------	--------------------------	---------------------------------	-----------------------	------------------	----------------

Amitron Electronics, Ltd.	MMCX-JW3			
	<a href="http://www.amel.ru">http://www.amel.ru</a>	Edition 1.0	Sheet 1/1	

## CHARACTERISTICS

DESCRIPTION: MMCX Type male R/A connector

### Electrical data:

<i>Impedance:</i>	50 ohm
<i>Frequency range:</i>	DC to 6 GHz
<i>VSWR:</i>	$\leq 1.1 + 0.04 \times f[\text{GHz}]$
<i>Insertion loss:</i>	$\leq 0.20 \times \sqrt{f[\text{GHz}]} \text{ dB}$
<i>Insulation resistance:</i>	$\geq 1000\text{M}\Omega$
<i>Test voltage:</i>	500 V rms
<i>Working voltage:</i>	150 V rms
<i>Contact resistance:</i>	
1). Centre contact:	5.0 m $\Omega$
2). Outer conductor:	2.5 m $\Omega$
<i>RF leakage(measured at 1GHz):</i>	$\geq 70\text{dB}$

### Environmental data:

<i>Temperature rating:</i>	-55 ° C to +155 ° C
<i>2002/95/EC (RoHS):</i>	Compliant

### Mechanical data:

<i>Mating cycles:</i>	$\geq 500$
<i>Center contact captivation:</i>	$\geq 10 \text{ N(axial)}$
<i>Engagement force:</i>	$\leq 15 \text{ N}$
<i>Disengagement force:</i>	6N~15N

### Suitable cables:

RG174A/U, RG188A/U, RG316/U