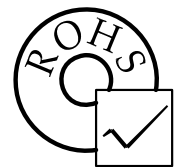
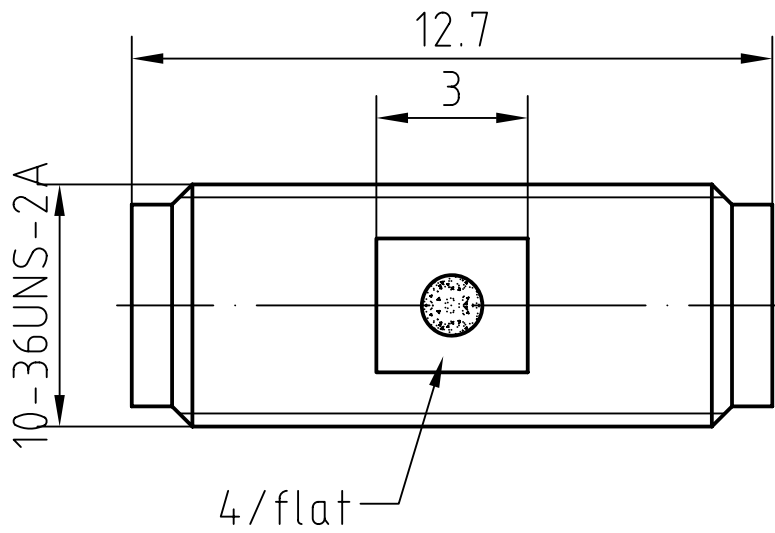


DRAWING



| 3 | 1 | Body | Brass/Gold plated | Gold 0.2um over Nickel 2um |
|---------|----------|--|------------------------------|----------------------------|
| 2 | 1 | Insulator | PTFE | |
| 1 | 1 | Center contact | Beryllium copper/Gold plated | Gold 0.5um over Nickel 2um |
| Itemref | Quantity | Title/Name, designation, material, dimension etc | | Article No./Reference |

| | | | | | |
|----------------------------|--------------------------|---------------------------------|----------------------|------------------|----------------|
| Designed by Mingang Han | Checked by Jinlong Gu | Approved by - date Hongyu Du | File name SSMA-KK | Date 08.03.05 | Scale 1 : 1 |
|----------------------------|--------------------------|---------------------------------|----------------------|------------------|----------------|

| | | | | |
|---------------------------|---|----------------|--------------|--|
| Amitron Electronics, Ltd. | SSMA-KK | | | |
| | http://www.amel.ru | Edition 1.0 | Sheet 1/1 | |

CHARACTERISTICS

DESCRIPTION:

ADAPTOR SSMA JACK TO SSMA JACK

Electrical data:

| | |
|-------------------------------|---|
| <i>Impedance:</i> | <i>50 ohm</i> |
| <i>Frequency range:</i> | <i>DC to 26.5 GHz</i> |
| <i>VSWR:</i> | $\leq 1.05 + 0.015Xf(\text{GHz})$ |
| <i>Insertion loss:</i> | $\leq 0.08 X \sqrt{f[\text{GHz}]} \text{ dB}$ |
| <i>Insulation resistance:</i> | $\geq 1000M\Omega$ |
| <i>Test voltage:</i> | <i>750 V rms</i> |
| <i>Working voltage:</i> | <i>250 V rms</i> |
| <i>Contact resistance:</i> | |
| 1). <i>Centre contact:</i> | <i>4.0 mΩ</i> |
| 2). <i>Outer conductor:</i> | <i>2.5 mΩ</i> |

Environmental data:

| | |
|----------------------------|----------------------------|
| <i>Temperature rating:</i> | <i>-65 ° C to +165 ° C</i> |
| <i>2002/95/EC (RoHS):</i> | <i>Compliant</i> |

Mechanical data:

| | |
|-------------------------------|---------------------------|
| <i>Mating cycles:</i> | ≥ 500 |
| <i>Coupling nut retention</i> | $\geq 100 \text{ N}$ |
| <i>Coupling test torque:</i> | $\leq 1.1 \text{ Nm}$ |
| <i>Recommended torque:</i> | <i>0.46 Nm to 0.69 Nm</i> |

Suitable cables:

N/A

Amitron Electronics, Ltd.

<http://www.amel.ru>

e-mail: mailbox@amel.ru