

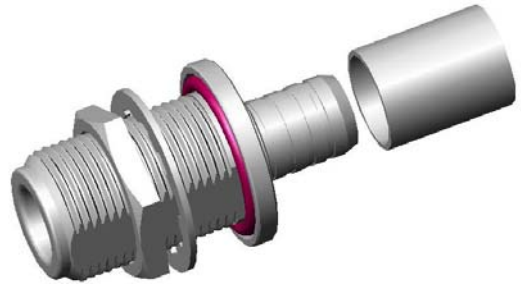
# Coaxial Cable Connector: N-KY7Y

## Description

Straight Bulkhead Jack for flexible cable 7/50S

## Interface standards

MIL-C-39012



## Technical Data

### Electrical Data

Impedance	50 $\Omega$
Interface frequency max.	8 GHz
VSWR	1.05+0.06 $\times$ f (GHz) max
Voltage rating	1000 V(rms)
Test voltage	1500 V(rms)
Contact resistance:	
Center conductor	$\leq 1.0\text{m } \Omega$
Out conductor	$\leq 0.2\text{m } \Omega$
Insulation resistance	$\geq 5000\text{M } \Omega$

### Mechanical Data

Weight	40 g
Durability	500 Cycles

### Environmental Data

Operating Temperature	-65 $^{\circ}\text{C}$ to 165 $^{\circ}\text{C}$
-----------------------	--

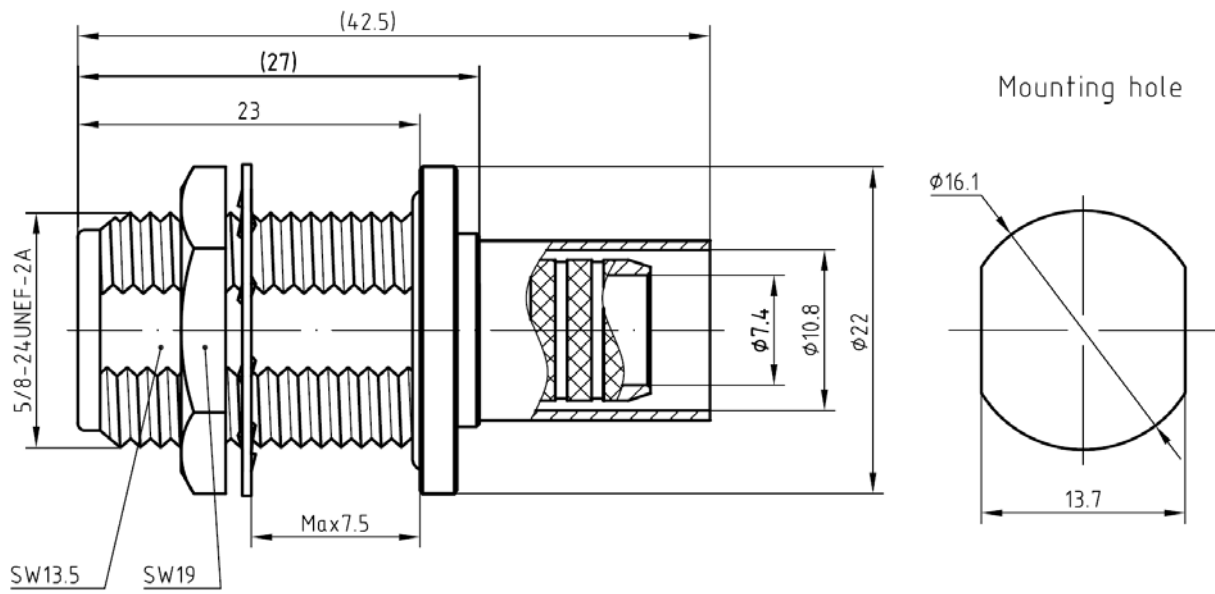
### Material Data

#### Piece Parts

Piece Parts	Material	Surface Plating( $\mu\text{m}$ )
Center contact	Phosphor Bronze	Gold 0.3 over Nickel 2.0
Body	Brass	Nickel 7.0 over copper 2.0
Gasket	Silicone Rubber	
Insulator	PTFE	
Other pieces	Brass	Nickel 7.0 over copper 2.0

# Coaxial Cable Connector: N-KY7Y

## Outline drawing



## Packaging

Standard

40/Box=4 Bag

Other

Contact us