

Coaxial Cable Connector: RF 74

Description

Straight cable plug for flexible cable

Interface standards

Γ O C T 20265

Technical Data

Electrical Data

Impedance	50 Ω
Interface frequency max.	6 GHz
VSWR	$1.10+0.05 \times f(\text{GHz})$ max
Voltage rating	500 V(rms)
Test voltage	1000 V(rms)
Contact resistance:	
Center conductor	$\leq 1.5\text{m}\Omega$
Out conductor	$\leq 0.5\text{m}\Omega$
Insulation resistance	$\geq 5000\text{M}\Omega$

Mechanical Data

Weight	21 g
Durability	500 Cycles

Environmental Data

Operating Temperature	-65 °C to 165 °C
-----------------------	------------------

Material Data

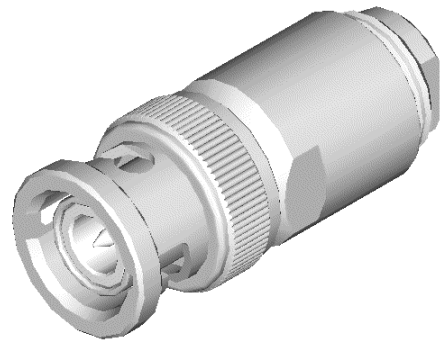
Piece Parts

Center contact	Brass
Body	Brass
Insulator	PTFE
Gasket	Silicone Rubber
Other pieces	Brass

Material

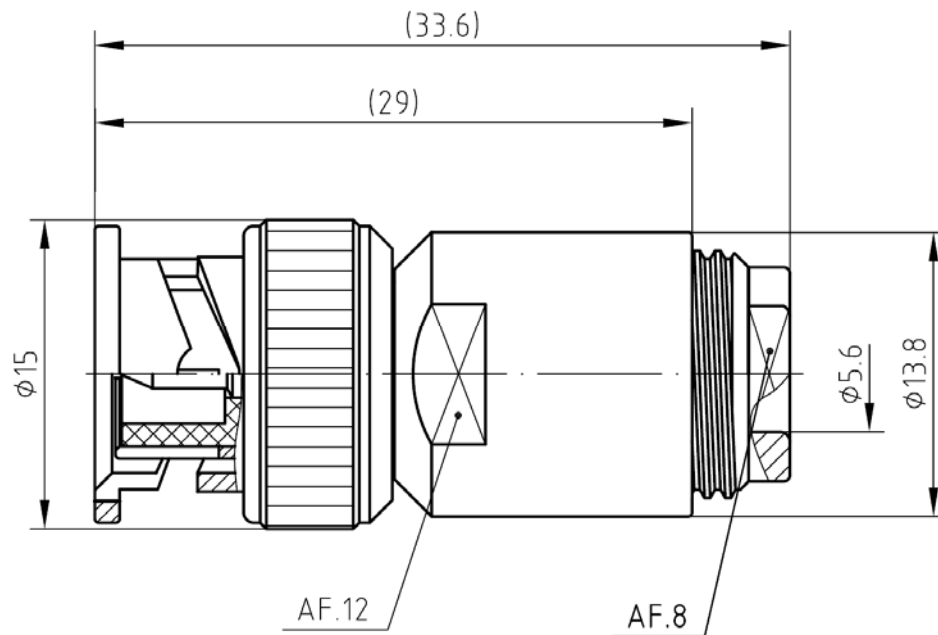
Surface Plating(μ m)

Silver 7.0 over copper 2.0
Nickel 7.0 over copper 2.0
Silver 7.0 over copper 2.0
or Nickel 7.0 over copper 2.0



Coaxial Cable Connector: RF 74

Outline drawing



Packaging

Standard

Other

80/Box=8 Bag

Contact us