

Coaxial Between Series Adapter: 2.4/2.92-KK

Description

Adaptor 2.4mm jack (female) /2.92mm jack (female)

Interface standards

MIL-STD-348

Technical Data

Electrical Data

Impedance	50 Ω
Interface frequency max.	40 GHz
VSWR	1.15max
Insert loss	$\leq 0.04X \sqrt{f(\text{GHz})}$
RF Leakage	$\leq -100\text{dB}$
Voltage rating	350 V(rms)
Test voltage	750 V(rms)
Contact resistance:	
Center conductor	$\leq 3 \text{ m}\Omega$
Out conductor	$\leq 2 \text{ m}\Omega$
Insulation resistance	$\geq 5000\text{M}\Omega$

Mechanical Data

Weight	6.2 g
Durability	2000min Cycles

Environmental Data

Operating Temperature	-55 °C to +135 °C
-----------------------	-------------------

Material Data

Piece Parts

Center contact	Beryllium copper
Outer contact	Stainless Steel
Insulator	PEI (Ultem)

Material

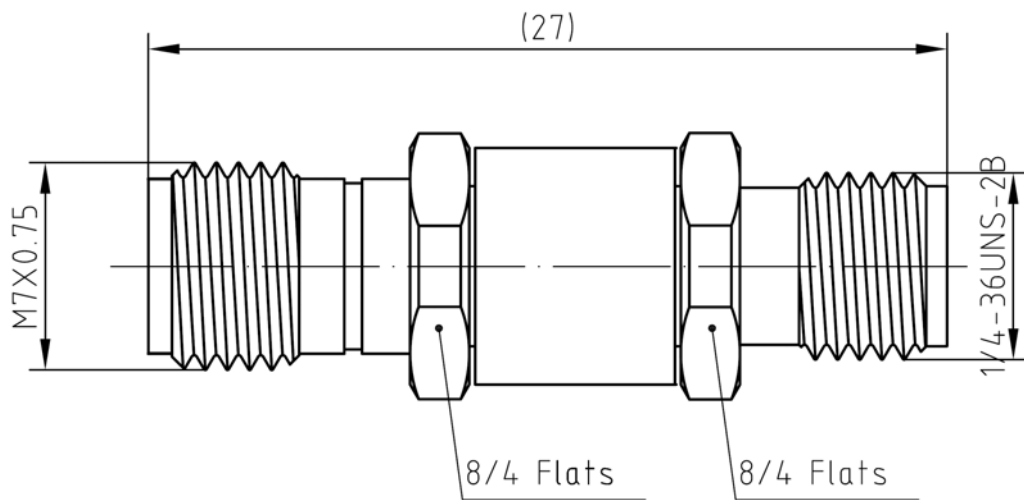
Surface Plating(μm)

Gold 1.27 over nickle 2.0
Passivated



Adapter: 2.4/2.92-KK

Outline drawing



Packaging

Standard

100/Box=10Bag

Other

Contact us